

Suspension Clamp



Description

The suspension clamp 4x50-95 mm² PS 495 is used for suspension of LV ABC cable from 50 mm² to 95 mm², without an insulated suspension conductor. The suspension is done over 2 to 4 LV ABC conductors with dimensions from 50 mm² to 95 mm².

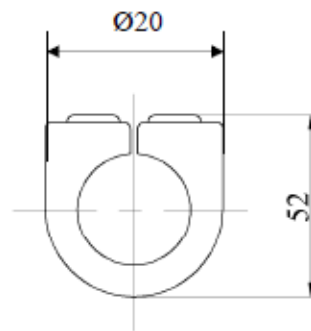
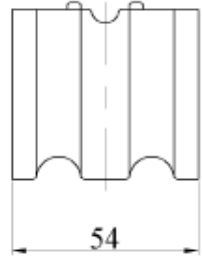
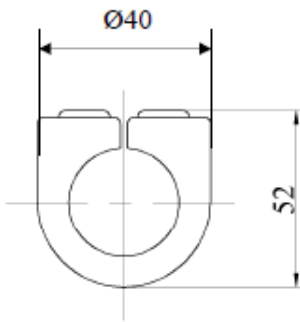
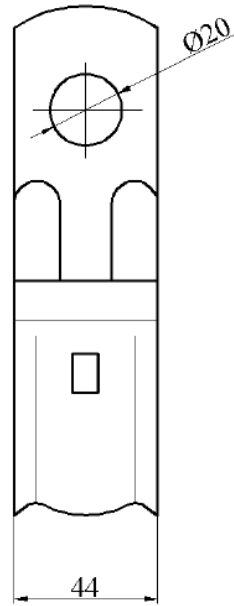
The clamp is resistant to atmosphere and mechanical influences since it is made of materials with high mechanical strength, with stable structure, of hot-dip galvanized steel and of elastomer resistant to UV rays. It is used with Universal Aluminum Bracket CA 1500, Cat. No. 370100. The Suspension clamp PS 495 allows angle deflection of path up to 30 degrees.

The product is manufactured in accordance with standard EN 50843-3.

Assembly Drawing

Composition of the Product:

Item N°	Postion Name	Weight (kg)	Pcs	Material
01	Body of Suspension Clamp	0,277	1	Steel St-12
02	Washer M8 DIN 125 A	0,001	1	Steel X10CrNi 18-8
03	Spring Washer M8 DIN 127	0,001	1	Steel X10CrNi 18-8
04	Bolt M8x80 DIN 933	0,032	1	Steel X10CrNi 18-8
05	Wing Nut M8 DIN 934	0,007	1	Steel X10CrNi 18-8
06	Insulating Sleeve	0,080	1	SEBS
Total Weight (Σ):		0,398	1	



Ordering Information

FIB-AFC-SUCL-1015-M - SUSPENSION CLAMP 10-15MM

FIB-AFC-SUCL-1520-M - SUSPENSION CLAMP 15-20MM