

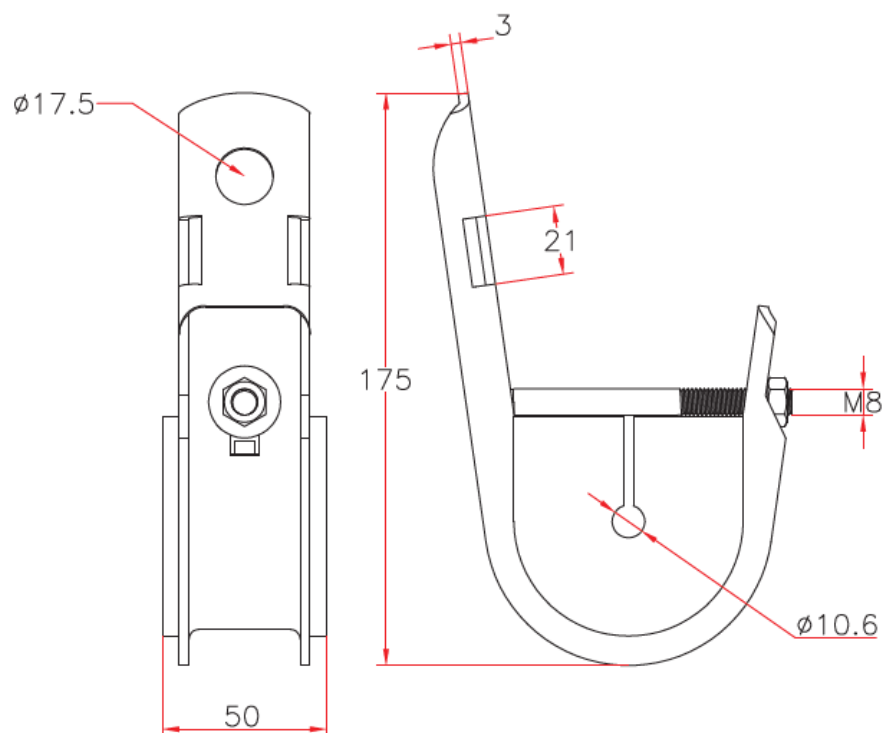
# Suspension Clamp



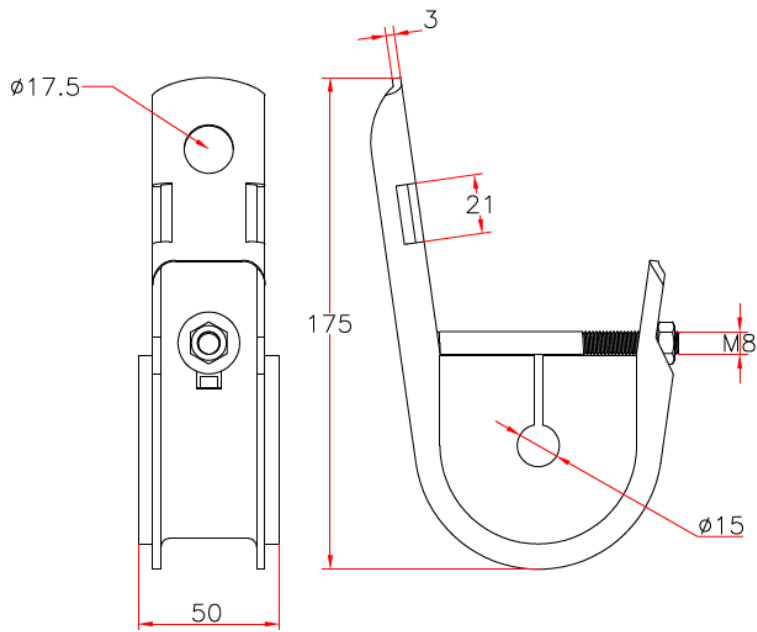
## Description

- The suspension clamp is designed for the installation and suspension of four core self-supporting LV-ABC cables to poles or walls.
- The clamp is made of hot dip galvanized steel, equipped with a wingnut and high deviation angle up to 60°
- No loose parts
- Standard: VDE 0211

## Drawings



FIB-AFC-SUCL-1015



**FIB-AFC-SUCL-1520**

## Specifications

P/N	Material	Conductor(mm)
FIB-AFC-SUCL-1015	Rubber, Steel	10-15
FIB-AFC-SUCL-1520	Rubber. Steel	15-20

## Ordering Information

**FIB-AFC-SUCL-1015-** Suspension clamp 10-15mm

**FIB-AFC-SUCL-1520-** Suspension clamp 15-20mm