

# Secure Patch Cord/Adapter- Without Key



## Description

Designed to prevent unauthorized or inadvertent access or change.  
The secure connector plugs only into the secure adapter.

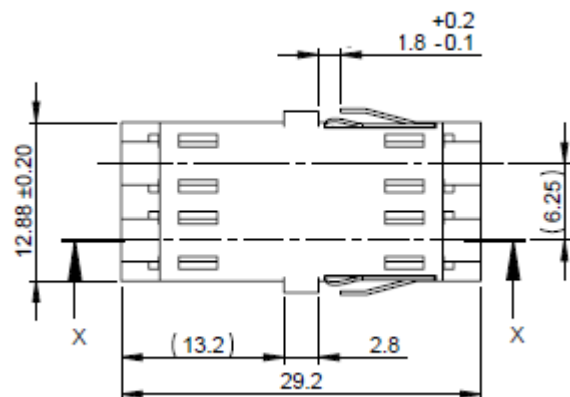
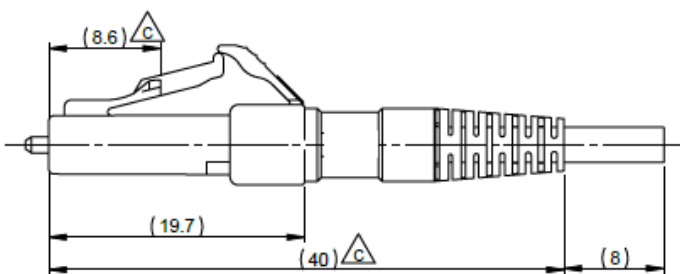
## Features

- ✓ The secure connector plugs only into the secure adapter.
- ✓ Compact Duplex format
- ✓ Available in 12 different colors: Pink, White, Yellow, Red, Orange, Violet, Gray, Cobalt, Brown, Turquoise, Magenta and Olive.



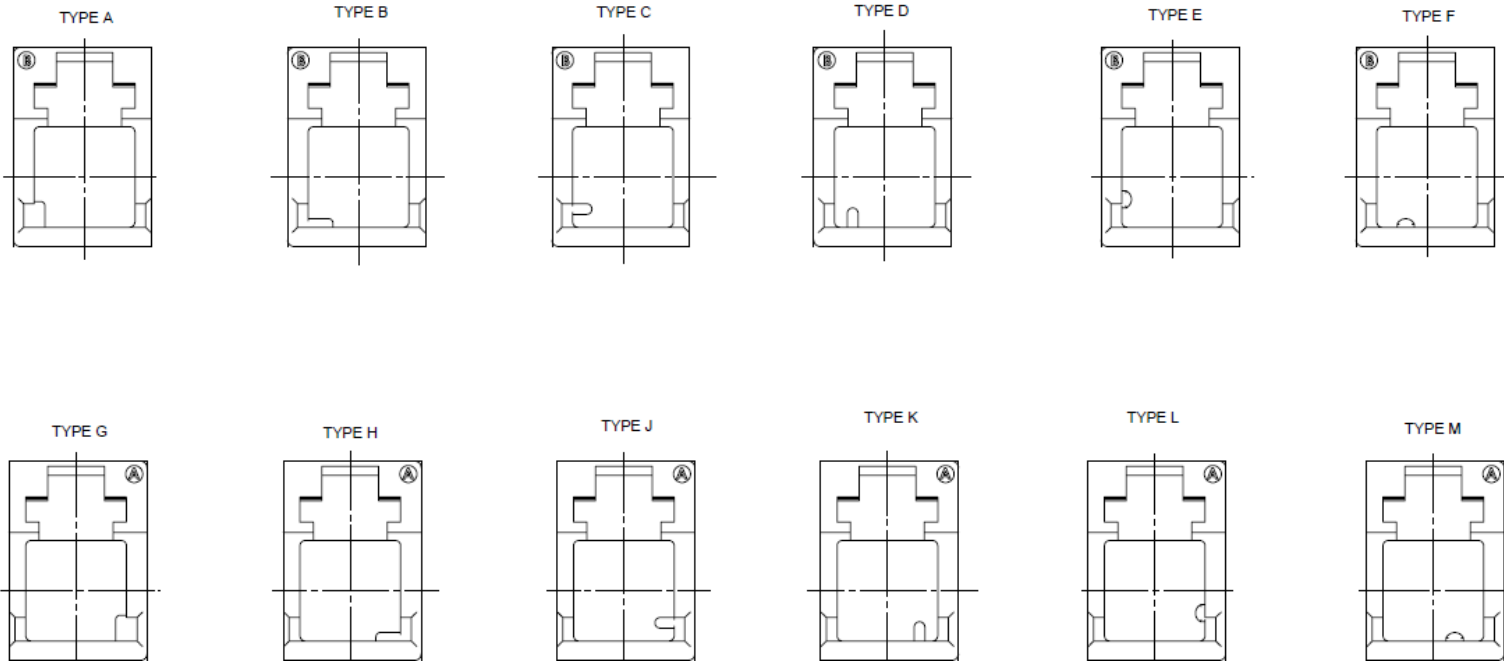
## Specifications and Dimensions:

Parameter	Value
Insertion loss	0.1dB Typical for SM UPC, SM APC, MM PC
Return loss	55dB for SM UPC, 65dB for SM APC
Color Options	Connectors/ Adapters are available in 12 different colors
Boot / Cable option	3mm, 2mm boot Flex angle boot also available
Operating temperature	-40°C to +75°C
Mechanical requirement	Meeting the GR-326 core Issue 4

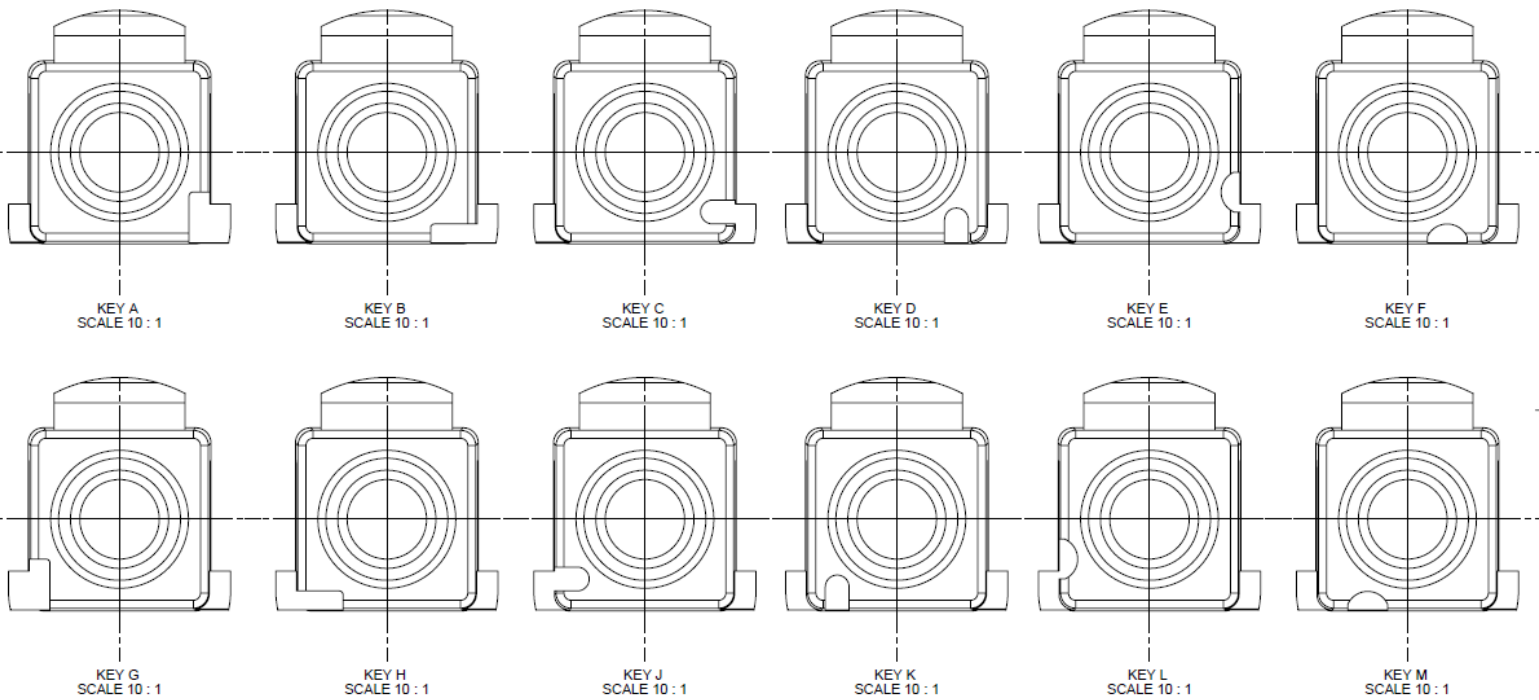


**Key Types:**

Adapters:



Connectors:



### Ordering Information:

#### Patch-Cords:

**FSG** \_ \_ \_ \_ \_ - \_

Fiber Type		Connector Type Side 1 (Duplex)		Connector Type Side 2 ( Duplex)		Polish Type Side A&B		Cable Length [m]		Housing color& key	
O	OM3	44S	Secure SC	99S	Secure LC	U	UPC	XX	XX m	A	Pink
G	OM4	99S	Secure LC	44S	Secure SC	A	APC			B	White
6	62.5/125			1	ST					C	Yellow
7	G657A2 BI			2	FC					D	Red
9	SM			4	SC					E	Orange
				5	SMA					F	Violet
				8	MTRJ					G	Gray
				9	LC					H	Cobalt
				E	E-200					J	Brown
				M	MU					K	Turquoise
				L	LX 0.5					L	Magenta
										M	Olive

#### Adapters:

**FAD** \_ \_ \_ \_ \_ - \_

Sleeve		Adapter Type side A		Adapter Type side B		# of Fibers		Flange Type		Housing color& key	
M	MM	4S	Secure SC	4S	Secure SC	1	Simplex	S	Standard	A	Pink
S	SM Zirconia	5S	Secure LC	4	SC	2	Duplex	R	Reduce Flange	B	White
O	Aqua			5S	Secure LC	4	Quad	N	No Flange	C	Yellow
				5	LC					D	Red
										E	Orange
										F	Violet
										G	Gray
										H	Cobalt
										J	Brown
										K	Turquoise
										L	Magenta
										M	Olive