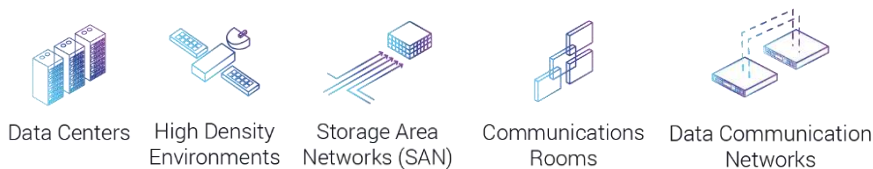
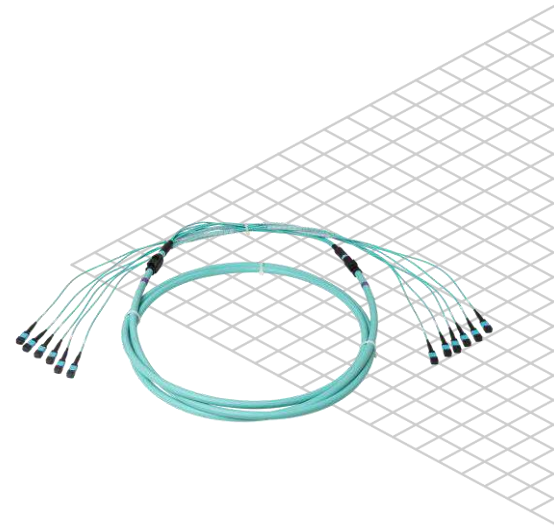


STAR400 MTP® Trunk Cables

The pre-terminated and bend-insensitive STAR400 MTP® Trunk cables are high density cables. MTP® trunk cables include up to 8 fiber connectors and are available in single-mode and multimode types accommodating up to 144 fibers.

STAR400 MTP® trunk cables include strain relief grips for quick cable mounting onto STAR400 products and are supplied with pull material and equipment for safe installations.



Features

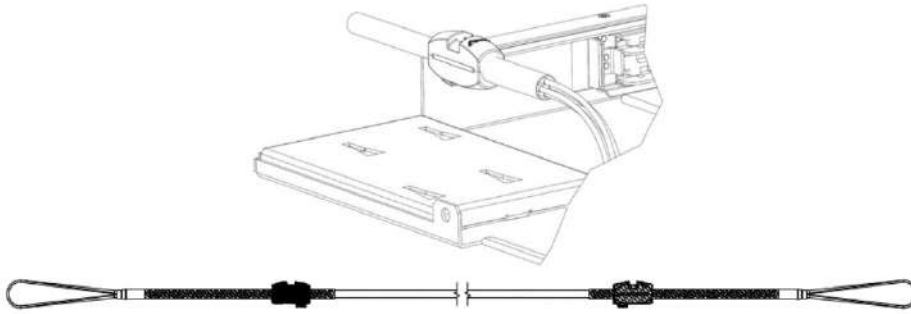
- Pre-terminated with MTP® Elite connectors and high precision guiding pins providing accurate alignment, high durability and excellent performance, surpassing all standards
- LSZH-FR (Low Smoke Zero Halogen, Flame Retardant / HFFR (Halogen Free Flame Retardant) cable jackets deliver greater fire protection performance
- All-dielectric cable designed for maximum safety and electromagnetic noise reduction
- IL/RL (Insertion Loss and Return Loss) testing and interferometer testing for ferrule geometry for every fiber to ensure high-quality performance
- Durable strain relief and pulling eye grips enable faster deployment
- Fully documented cables including individually printed serial numbers make identification easier
- 10G/40G/100G migration solutions facilitate easy, cost effective cabling infrastructure
- Space saving characteristic makes it ideal for limited cable duct space

Standards

Compliant with the following standards:

- IEEE 802.3ab-2010 - ETL lab verified (up to 100G Ethernet)
- IEEE 802.3ba 40Gb/s and 100 Gb/s
- IEC 60793-2-10:2019, applicable to A1-OM4 and A1-OM5
- ITU-T G.657.A2 for SM OS2
- IEC 61754-20, IEC 61754-7, IEC 60793-1, IEC 11801 (OS2, OM3, OM4 and OM5), IEC 60793-1, IEC 60794, ISO/IEC 14763, IEC 60874, IEC 60811, IEC 61280, IEC 61755-3, IEC TR 62221, IEC 62263, IEC 61282, IEC 61290, IEC 60794, ISO/IEC 14763, IEC 60874, IEC 60811, IEC 61280, IEC TR 62221, IEC 62263, IEC 61282, IEC 61290
- UL 94 V-0, IEC 60332-3C, IEC 60754-2, IEC 61034, CPR-CLASS CA, S1, D1, A1, UL1581 VW-1, UL1666
- EN 50575:2014, CSA C22.2 FT-1
- TIA-942
- GR-1435-CORE
- JIC TYPE AND EIA/TIA-604

Pull Eye and Cable Mounting Position



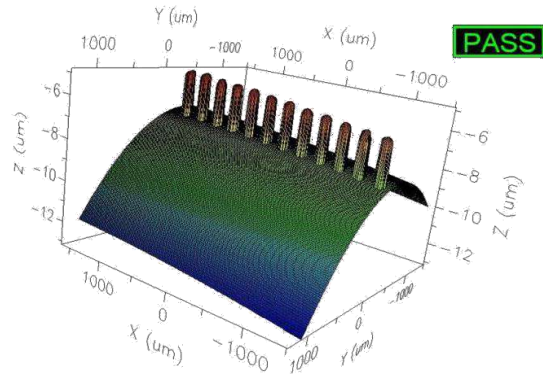
Specifications

PARAMETER	MODEL	
	MULTI MODE LOW-LOSS	SINGLE MODE LOW-LOSS
Connection Insertion Loss	0.1 dB Typical 0.3 dB Max	
Return Loss	>-35 dB	>-60 dB (8° Angle Polish)
Loss Variation (Durability)	≤0.2 dB 500 cycles (per EIA-455-21A)	≤0.3 dB 500 cycles (per EIA-455-21A)
Fiber Attenuation	< 3.0 dB/km @850nm	< 0.35 dB/km @1310/1550 nm
Operating Temperature	-20°C ~ +70°C	
Cable Retention	8 fibers: 400N 24-144 fibers: 600N	
Connector Retention	45N	
Cable Crush Resistance	45 N/cm	
*Better performance available upon custom request		

NO OF FIBERS	OUTER DIAMETER	MAX. BENDING RADIUS INSTALLATION	MAX. BENDING RADIUS OPERATION
8	4.3 mm	60 mm	30 mm
16	5.2 mm	108 mm	54 mm
24	7 mm	122 mm	61 mm
32	7 mm	122 mm	61 mm
48	8.7 mm	188 mm	94 mm
64	9.4 mm	200 mm	100 mm
96	10.8 mm	222 mm	111 mm
144	13.5mm	270mm	135mm

Verification Tests

- Insertion Loss
- Return Loss
- Radius of Curvature
- Tilt
- Fiber Height



Build Your Order

Example: FI8TOFFUU0010070070A

8 fiber, OM3, Female, Female, UPC, UPC, 1M, 70 cm, 70 cm, Low Loss Direct

