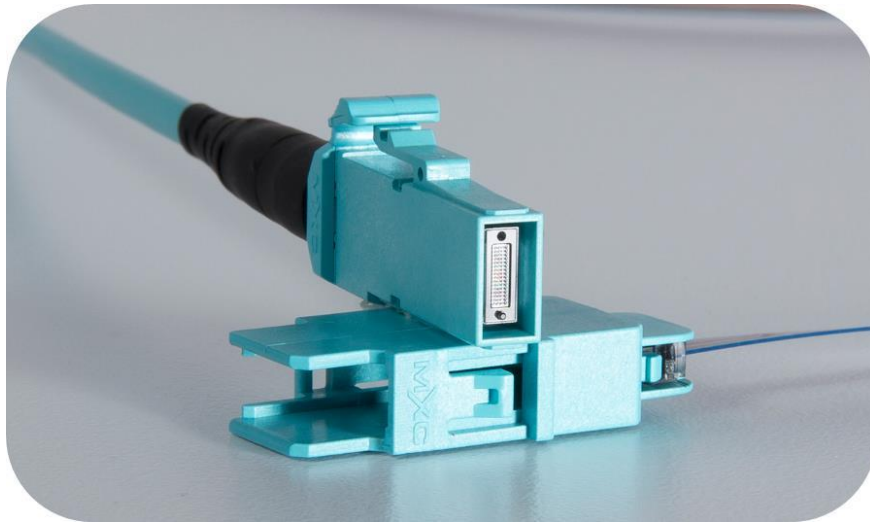


MXC™ Connector



Description:

The MXC™ is optimized for direct interface to equipment densely populated with mid-board mounted, multimode optical modules.

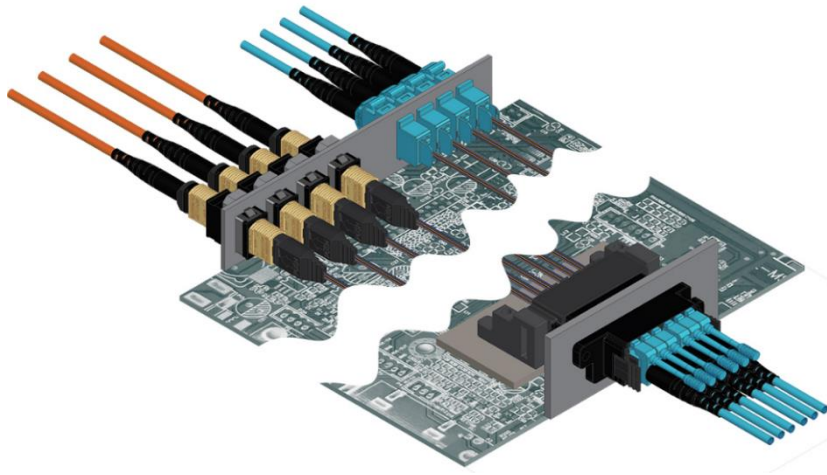
The MXC™ connector platform is optimized for expanded beam PRIZM® MT ferrules, providing for a more robust and debris insensitive interface compared to existing solutions.

Features:

- > Optimized for point-to-point, equipment card interface applications.
- > Debris insensitive resulting in high reliability.
- > No polish, low cost termination process.
- > Low insertion force.
- > Supports a wide variety of link designs in multimode.
- > High Density: 59% PCB area and 40% Faceplate area.
- > 132 MXC™ receptacles fit into a 19" 1U panel.
- > One-piece receptacle becomes part of the internal Tx/Rx to bulkhead jumper.
- > PRIZM® MT ferrule platform supports fiber rows of up to 16 fibers and up to 4 rows of fibers for fiber lane counts as high as 64.

Applications:

- > Bulkhead fiber demarcation point for embedded multimode Tx/Rx architectures.
- > Front panel and backplane multi-fiber point-to-point links.
- > High performance computing.
- > Switching/routing fabrics.
- > Switch to server interconnects.
- > MXC™ to MTP® Harness cable.



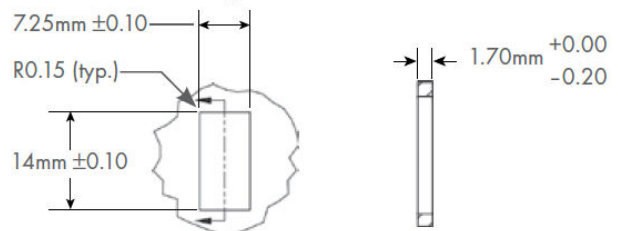
Specifications and Dimensions:

Parameter		Value
Cable Type	Plug side	- Round cable 3mm-5.5mm diameter - 12 fiber ribbons
	Receptacle side	12 fiber ribbon
Receptacle and Plug Colors	Aqua, Green or Black	
Max. Numbers of Fibers	≤ 64 Fibers	
Insertion Loss	< 1.2 dB	
Return Loss	> 20 dB	
Fiber Type	Multimode OM3	

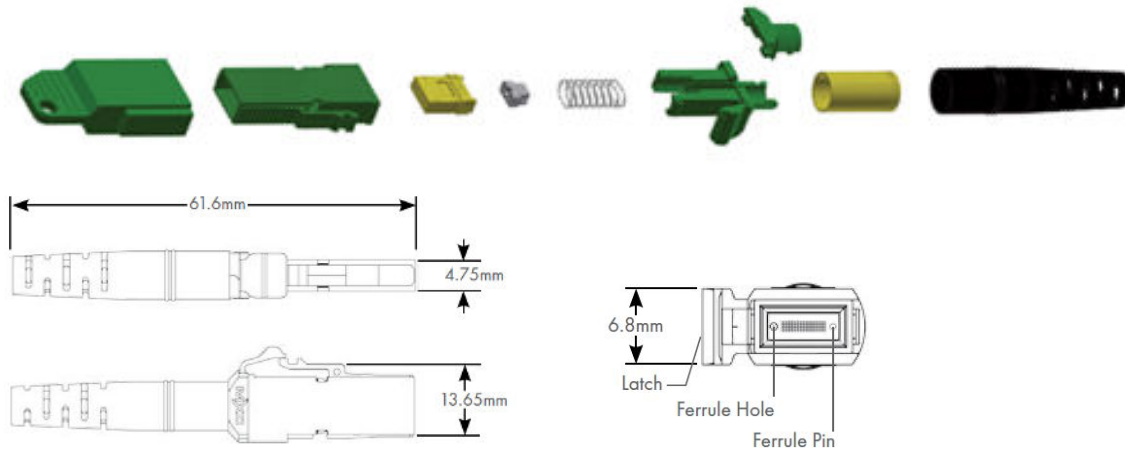
MXC™ Receptacle



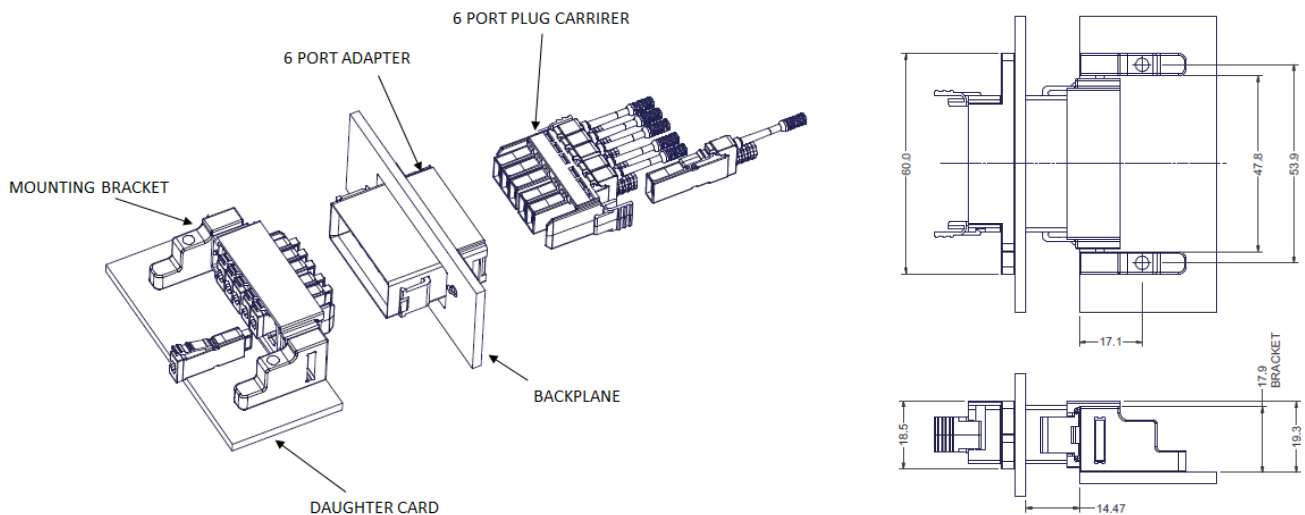
Recommended Mounting Cutout:



MXC™ Plug



MXC™ 6 Port Hybrid Blind Mate Assembly:



Ordering Information:

FMXC-BP-6 - MXC™ 6 Port Hybrid Blind Mate Assembly

FMXC

No of Fibers		Fiber Type		Cable Type		Connector Type Side 1 - MXC		Connector Type Side 2 - MXC/MTP		Polish Type Side 2		Cable Length	
12	12F	O	OM3	00	Ribbon	P	Plug	P	Plug	A	APC	XXXX	XXX.Xm
16	16F	G	OM4	30	3.0mm	R	Receptacle	R	Receptacle	U	UPC		
2X	24			36	3.6mm			F	MTP Female	N	for MXC		
2Y	32			45	4.5mm			M	MTP Male				
3X	36			50	5.0mm								
4X	48			55	5.5mm								
4Y	64												

Example: **FMXC12O30PRN0100**

[12 Fibers, OM3, 3mm cable, Plug to Receptacle Connectors, No polish, 10 meter]