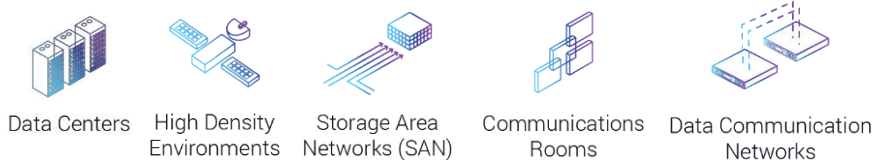
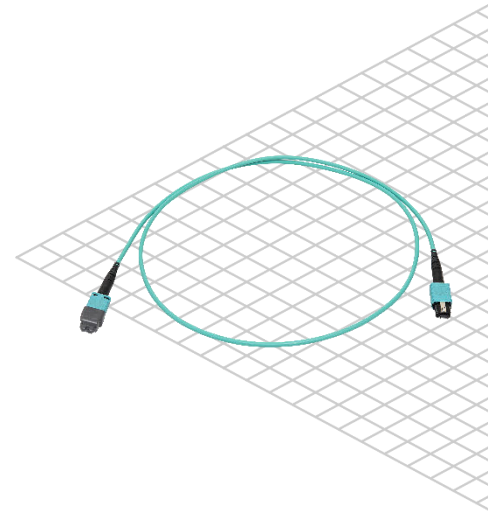


MTP® PRO Patch Cord

The MTP®PRO patch cord is bend-insensitive and pre-terminated with low-loss factory-polished MTP®PRO connectors. MTP® PRO design enables quick and effective polarity and pin reconfiguration without the need to remove the connector housing or handle loose pins. Field configuration has never been easier. Simple insertion into the MTP®PRO tool reverses the keying configuration by retracting the exposed key while simultaneously extracting a hidden key on the opposite side of the connector.



FEATURES

- Compatible for use with all STAR ODF series
- Pre-terminated with MTP® PRO Elite connectors, with high precision guide pins for accurate alignment, high durability and high performance
- LSZH-FR (Low Smoke Zero Halogen, Flame Retardant)/HFFR (Halogen Free Flame Retardant) custom labeled cable jackets deliver greater fire protection performance. All-dielectric cable designed for maximum safety and electromagnetic noise reduction
- IL/RL (Insertion Loss and Return Loss) testing and interferometer testing for ferrule geometry for every fiber to ensure high-quality performance
- Fully documented cables including individually printed serial numbers make identification easier
- Durable strain relief and pulling eye grips enable faster deployment
- 10G/40G migration solutions facilitate easy, cost effective cabling infrastructure
- MTP®PRO tool enables a simple one-step color coded polarity change feature without removing the connector housing
- Field-changeable guide pins for optimal flexibility while maintaining product integrity with safe handling of pins and easy color identification
- Fully operational and field-proven solution installed successfully at high-density facilities such as Disaster Recovery Plan, Business Continuity Planning and central data center sites

STANDARDS

Compliant with the following standards:

- IEEE 802.3ab-2010 - ETL lab verified (up to 100G Ethernet)
- IEEE 802.3ba - ETL lab verified (40Gb/s and 100 Gb/s)
- IEEE P802.3bs 400Gb/sec Ethernet
- IEC 60793-2-10:2019, applicable to A1-OM3, A1-OM4, and A1-OM5
- ITU-T G.657.A2, applicable for SM OS2
- GR-1435-CORE
- TIA/EIA 604-5 (MPO FOCIS)
- IEC 61754-7, TIA-568-C.3, IEC 60793-1, IEC 11801 (OS2, OM3, OM4, and OM5)
- TIA-492.AAAC, TIA-492.AAAD, TIA-942-A, IEC 60794-1, IEC 60794-2 and IEC 60874
- UL94-V-0, IEC 60332-3C, IEC 60754-1/2, IEC 61034
- Reliable pin retention force exceeding 19.6N
- IEC 60794, ISO/IEC 14763, IEC 60874, IEC 60811, IEC 61280, IEC TR 62221, UL1581 VW-1, UL 1666, EN 50575:2014 D, CSA C22.2 FT-1, IEC 62263, IEC 61282, IEC 61290
- RoHS

SPECIFICATIONS

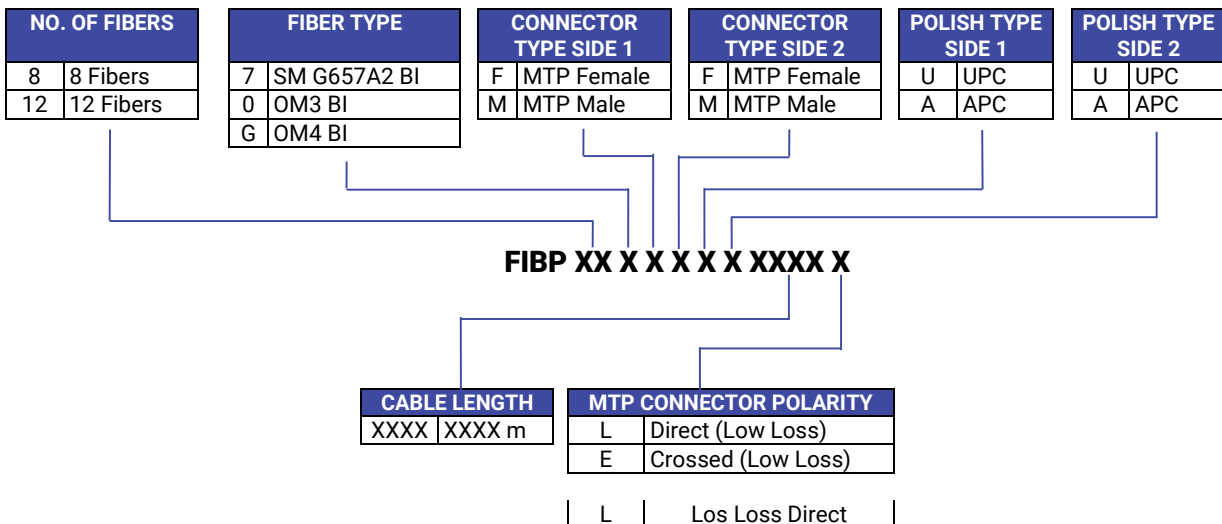
PARAMETER	MODE LOW LOSS-MULTI	MODE LOW LOSS-SINGLE
Insertion Loss	0.1 dB Typical 0.3 dB Maximum 0.6 dB Total end-to-end loss (Up to 5 meters long)	
Return Loss	>-35 dB	>-60 dB (8° Angle Polish)
Durability (Loss variation)	≤ 0.2 dB 500 cycles (per EIA-455-21A)	≤ 0.3 dB 500 cycles (per EIA-455-21A)
Fiber attenuation	< 3 dB/km @850nm	< 0.35 dB/km @1310/1550 nm
Cable Outer diameter	2 mm	2 mm
Bending Radius	7.5 mm	7.5 mm
Operating temperature	-20°C ~ +70°C	-20°C ~ +70°C
Cable retention	100N	
Connector retention	45N	
Cable crush resistance	45 N/cm	

BUILD YOUR ORDER

Example:

FIBPR8OFFUU0010L

8 fibers, OM3, Female, Female, UPC, UPC, 1 M, Direct low loss



MTP® Pro Tool

The MTP® PRO Tool compatible with MTP® PRO connectors only and provide the ability to:

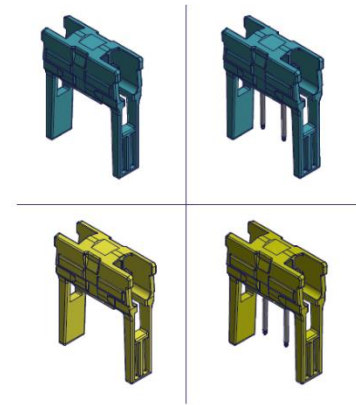
- Change field polarity
- Field Pin Removal: Male to Female
- Field Pin Removal: Female to Male

The MTP® PRO Tool kit, PN. TLF0920 includes

- MTP® PRO Field Tool
- Gripper
- Pin Exchanger



P/N	Description
OPF2004	PIN EXCHANGER MTP PRO FEMALE AQUA
OPF2005	PIN EXCHANGER MTP PRO FEMALE YELLOW
OPF2006	PIN EXCHANGER MTP PRO MALE AQUA
OPF2007	PIN EXCHANGER MTP PRO MALE YELLOW



MTP® PRO Extended Tool kit, P/N- TLF1163

The kit includes:

- MTP® PRO Field Tool
- Gripper
- Pin Exchanger
- MTP PRO Jumper
- Cleaner
- MTP® PRO Female PIN Exchanger, Aqua 10 PACK
- MTP® PRO Female PIN Exchanger, Yellow 10 PACK

