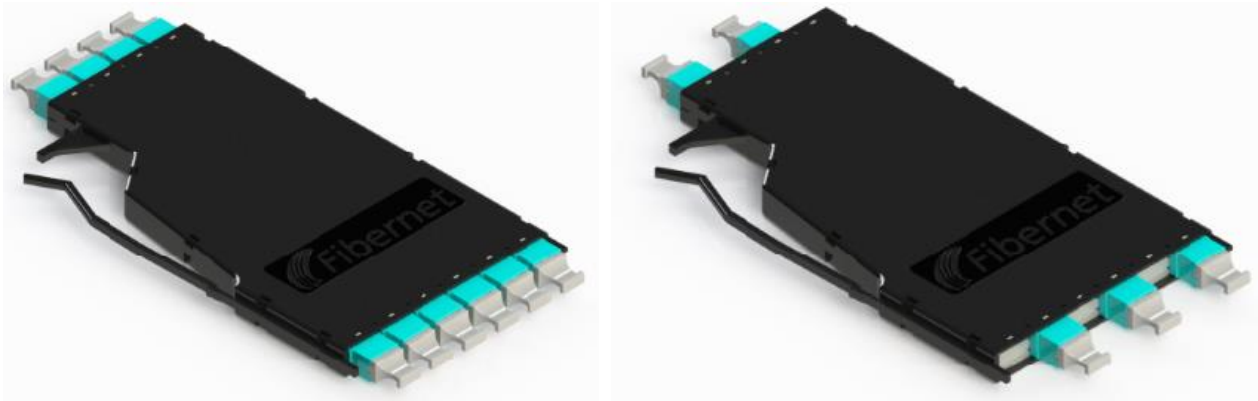


STAR MTP[®] Conversion 40G Modules



Description:

The MTP[®] conversion modules have 12 Fiber MTP[®] adapters in the rear for mating to backbone trunks and breakout to 8 fiber MTP[®] adapters in the front for connectivity to 40G ports.

The MTP[®] conversion 40G modules are available in two pre-terminated configurations:

- 2x3 – Two 12-fiber MTP[®] adapters at the rear + three 8-fiber MTP adapters at the front.
- 4x6 – Four 12-fiber MTP[®] adapters at the rear + six 8-fiber MTP adapters at the front.

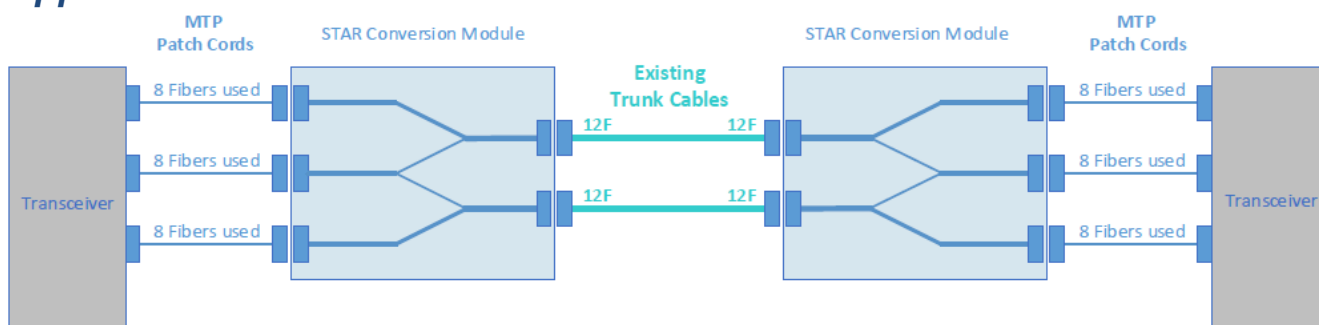
Features:

- > Suitable for all Star ODF series.
- > Complies IEEE 802.3ba (40 and 100 Gb/sec Ethernet).
- > Individual MTP[®] Port numbering and dust caps.
- > 100% tested Insertion Loss & Return Loss (IL&RL) for each fiber.
- > Testing documented for each module, individually identified by a serial number.
- > Each connector's ferrule geometry is tested using interferometer for standard proof performance.
- > Bend-Insensitive fibers MM OM3 as per IEC 60793-2-10 type A1a.2, MM OM4 as per IEC 60793-2-10 type A1a.3, MM OM5 as per IEC 60793-2-10 type A1a.4.
- > Complies with TELCORDIA GR-449-CORE, IEC 61754-7, TIA-604-5 (MPO FOCIS 5), TIA 568-C.3, IEC 60793-1, IEC 61755-3, IEC 11801 (OM3, OM4 and OM5), ITU-T G.651, TIA-492.AAAC-A, TIA-492.AAAD, TIA-942-A, IEC60794-1, IEC60794-2 and IEC 60874.
- > Complies with Safety of Flammability of Plastic Materials rating – UL94-V-0.
- > RoHS compliant.

Benefits:

- > Conversion modules utilize all 12 fibers, by grouping the normally unused 4 fibers from each 12 fiber MTP®, transitioning two 12F connection into three 8 fibers.
- > Ready to install, easy operation, maximum operability and minimum downtime.
- > Versatile high-density solution with compact, space-saving design.
- > Quick loading and/or removal of modules front and back.
- > Bend-insensitive fibers allow routing through tight spaces with no impact on performance.
- > Individual tray pull-out – easy access to each port.
- > Smooth cable handling and rear access to pre-terminated MTP® cables.
- > Low-loss performance exceeding TIA-942-A structured cabling requirements.

Applications:



- > Utilizing all fibers in Data Center 40G trunk cables, saving 33% of cabling volume

Specifications and Dimensions:

Parameter	2x3	4x6
12-fiber MTP connections (rear)	2	4
8-fiber MTP connections (front)	3	6
Adapter Color	Aqua for OM3/4 Lemon Green for OM5	
Module Insertion Loss (max.)	0.5 dB	
Max. Insertion Loss Per Connection	0.3 dB	
Operation Temperature	-10 ~ +60 °C	
Dimensions (D x W x H)	180 x 98 x 12 mm	

Ordering Information:

FSTAR-C-__MTUL1208-__

Fiber Type		MTUL1208	MTP Connectors configuration	
G	OM4 B.I.		23	2x 12f MTP® to 3x 8f MTP®
O	OM3 B.I.		46	4x 12f MTP® to 6x 8f MTP®
W	OM5 B.I.			

Example: