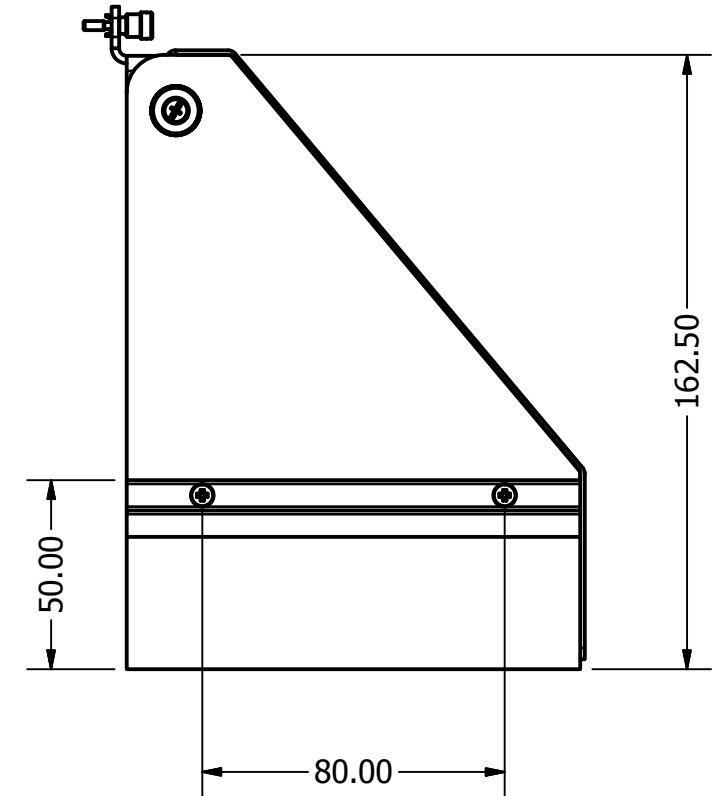
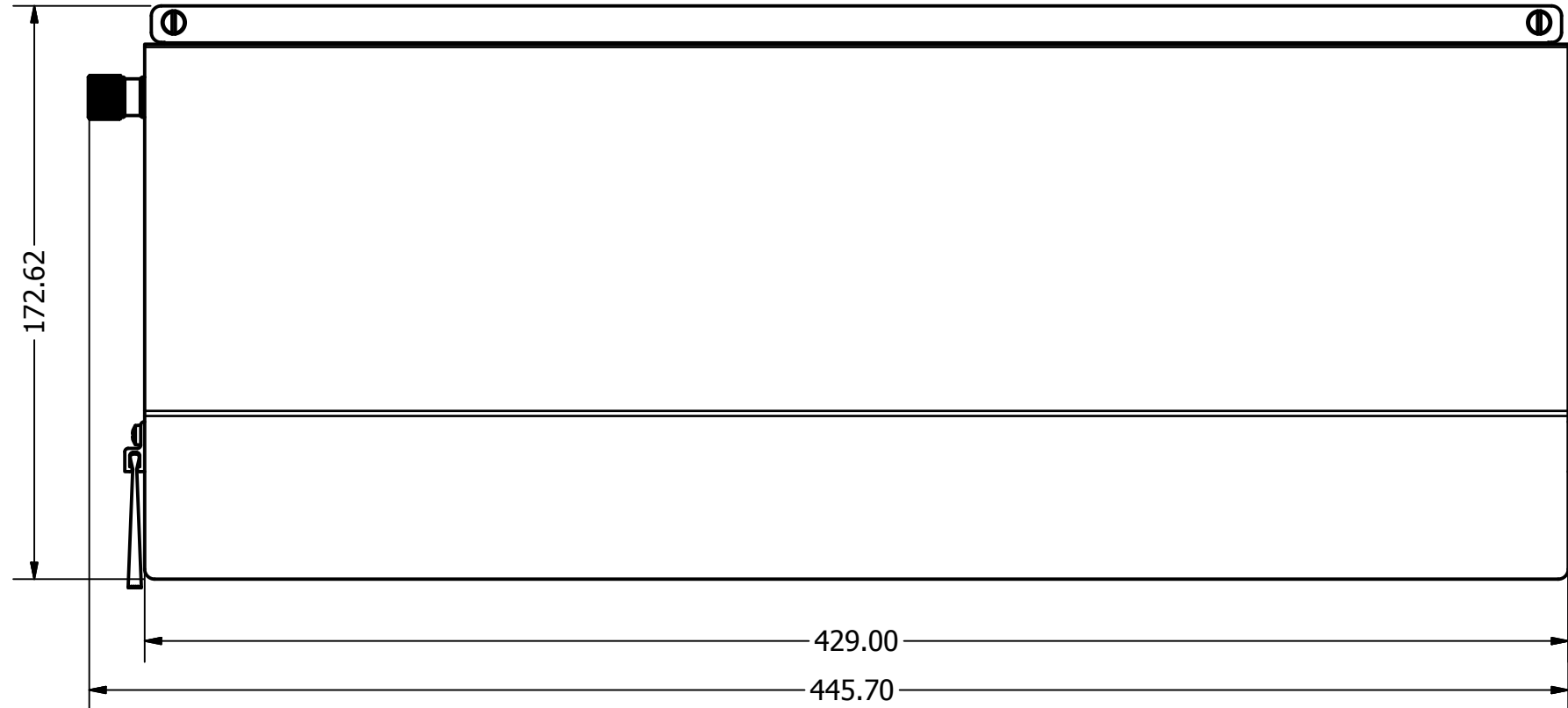




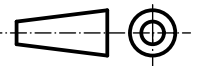
RoHS Compliant

REVISION HISTORY			
REV	DESCRIPTION	DATE	APPROVED
0	Initial revision	03/11/2020	Denis L.

### GENERAL DIMENSIONS:



THIS DOCUMENT AND THE INFORMATION CONTAINED IN IT ARE PROPRIETARY AND CONFIDENTIAL TO FIBERNET AND NO PERSON IS ALLOWED TO COPY, REPRINT, REPRODUCE OR PUBLISH ANY PART OF THIS DOCUMENT, NOR DISCLOSE ITS CONTENTS TO OTHERS, NOR MAKE ANY USE OF IT, NOR ALLOW OR ASSIST OTHERS TO MAKE ANY USE OF IT - UNLESS BY THE PRIOR WRITTEN EXPRESS AUTORIZATION OF FIBERNET AND THEN ONLY TO THE EXTENT AUTHORIZED.  
(C) COPYRIGHT - FIBERNET.



DRAWN Denis.I	03/11/2020	 TEL: 972-4-9095555 FAX: 972-4-9590047 ADDRESS: POB.512, SCIENCE INDUSTRIES PARK (MANSURA), YOKNEAM ZIP 20692 ISRAEL	TITLE
DESIGN Denis.I	03/11/2020		REAR COVER FOR 19' DRAWER 4U F4U12D
CHECKED Benny B.	03/11/2020		SIZE
APPROVED Eric M.	03/11/2020		SCALE
QA Anna U.	03/11/2020		PART NUMBER
TOLERANCES UNLESS OTHERWISE SPECIFIED		A3	MPF0485
LINEAR ± 0.2mm	BORE +0.1 mm	MATERIAL:	FINISH:
ANGULAR ± 30'		SEE NOTES	SEE NOTES
SHEET 1 OF 1			REV 0