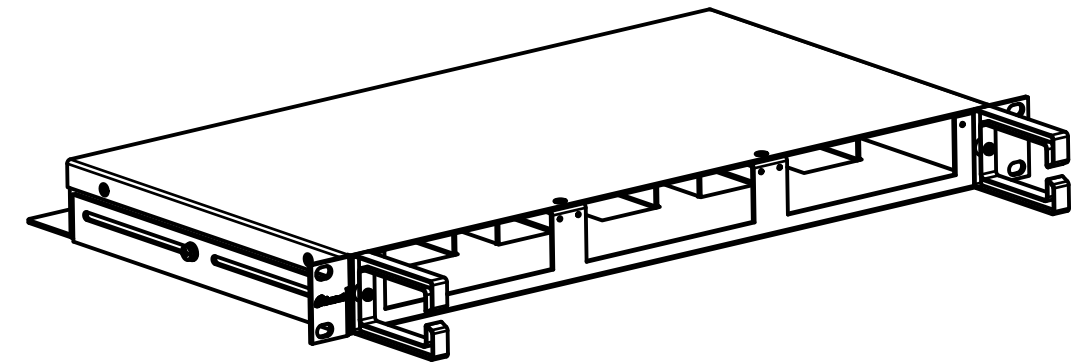
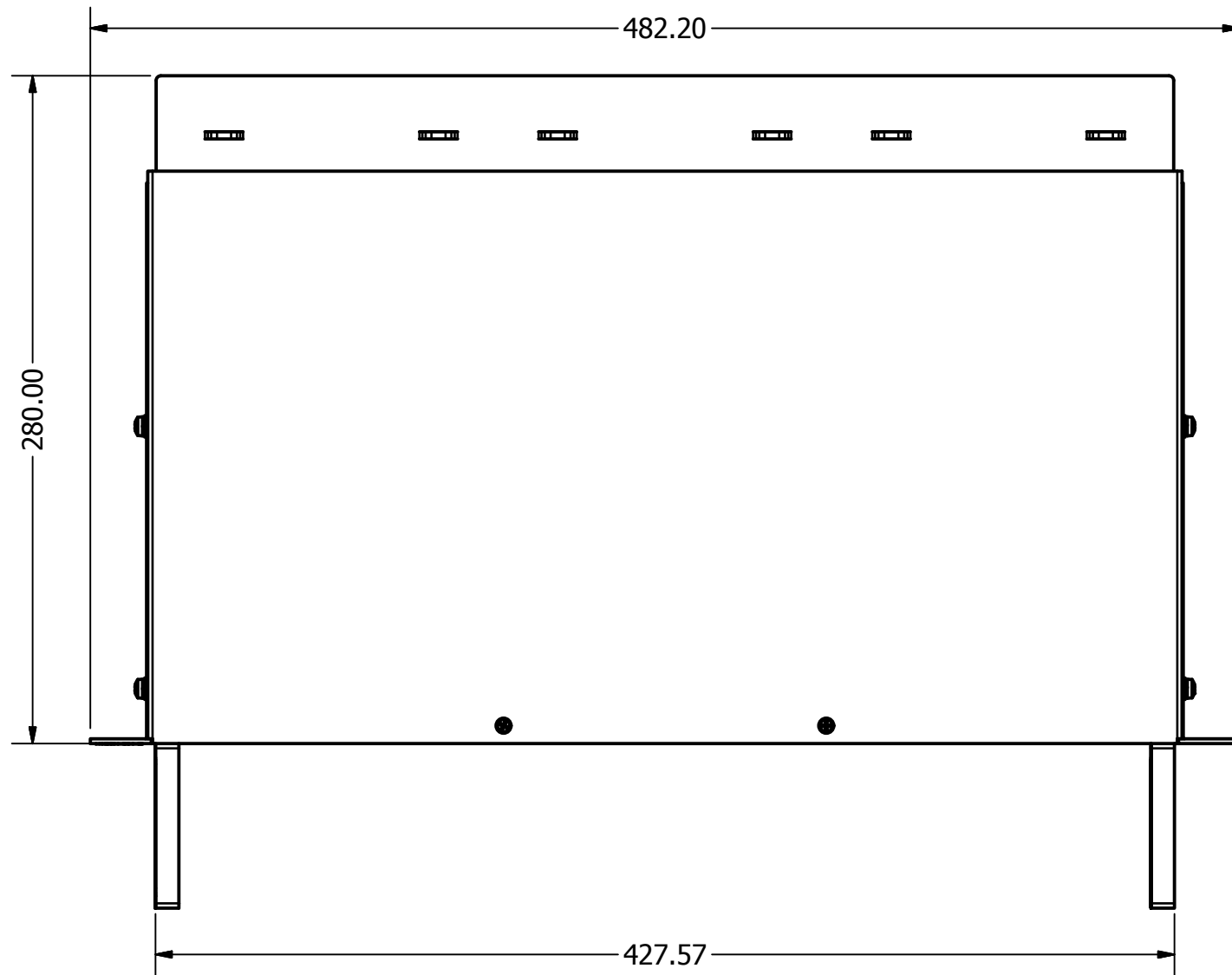
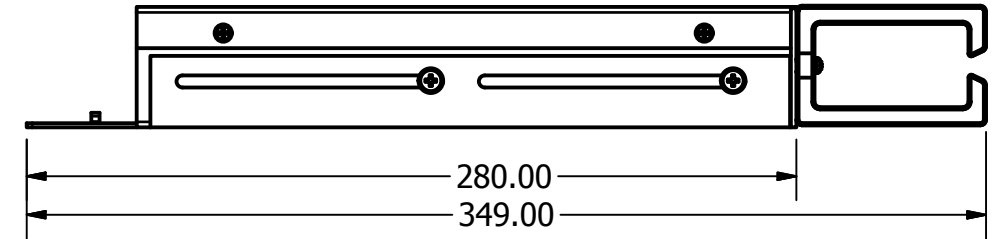
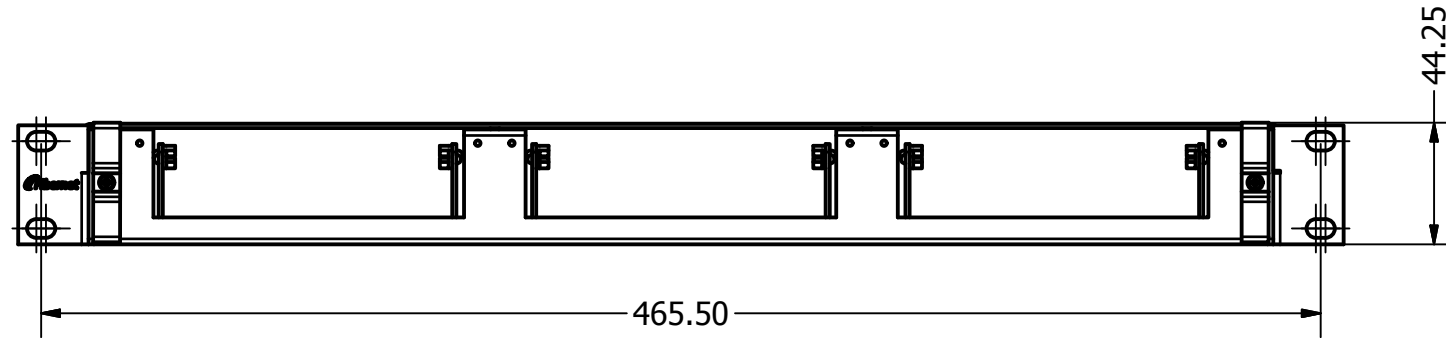


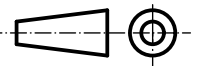


RoHS Compliant

REVISION HISTORY			
REV	DESCRIPTION	DATE	APPROVED
0	Initial revision	08/07/2020	Eric M.



THIS DOCUMENT AND THE INFORMATION CONTAINED IN IT ARE PROPRIETARY AND CONFIDENTIAL TO FIBERNET AND NO PERSON IS ALLOWED TO COPY, REPRINT, REPRODUCE OR PUBLISH ANY PART OF THIS DOCUMENT, NOR DISCLOSE ITS CONTENTS TO OTHERS, NOR MAKE ANY USE OF IT, NOR ALLOW OR ASSIST OTHERS TO MAKE ANY USE OF IT - UNLESS BY THE PRIOR WRITTEN EXPRESS AUTHORIZATION OF FIBERNET AND THEN ONLY TO THE EXTENT AUTHORIZED.
(C) COPYRIGHT - FIBERNET.



DRAWN Denis.I	08/07/2020	 TEL: 972-4-9095555 FAX: 972-4-9590047 ADDRESS: POB.512, SCIENCE INDUSTRIES PARK (MANSURA), YOKNEAM ZIP 20692 ISRAEL	TITLE		
DESIGN Denis.I	08/07/2020		PANEL 19" SUBRACK 1U FOR 3 MODULES		
CHECKED Benny B.	08/07/2020		SIZE	SCALE	PART NUMBER
APPROVED Eric M.	08/07/2020		A3		MP0612
QA Anna U.	08/07/2020				REV 0
TOLERANCES UNLESS OTHERWISE SPECIFIED		MATERIAL:	SEE NOTES	FINISH:	SEE NOTES
LINEAR ± 0.2mm	BORE +0.1 mm				
ANGULAR ± 30'					
				SHEET 1 OF 1	