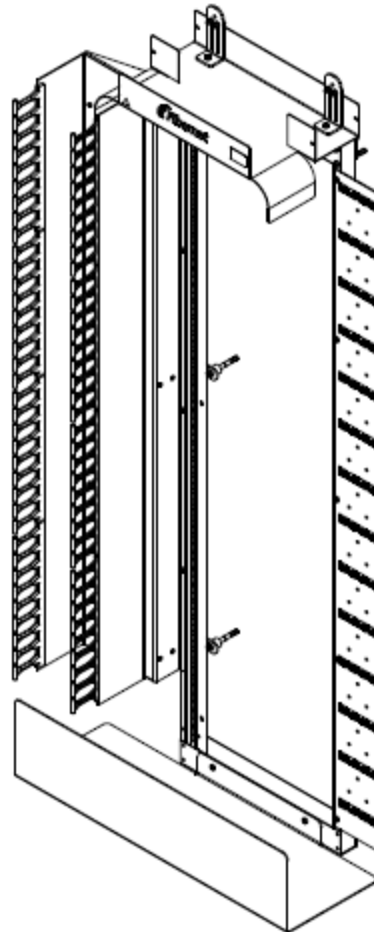


Fibernet Front Access rack system



Introduction

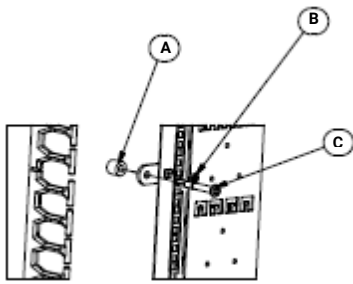
Fibernet's front access rack system for correct and easy fiber optics management terminations in Central offices or any demarcation points of fiber optic cables. The system is full front Access system for space efficiency and full management of the fiber optics, splice and patch from the front side. With this solution, the rack can be installed against the wall, in lines or Back-to-Back. A wide range of front access ODF's are available to use with the Rack system, ODF'S FOR Patch & Splice or Patch only.

Features

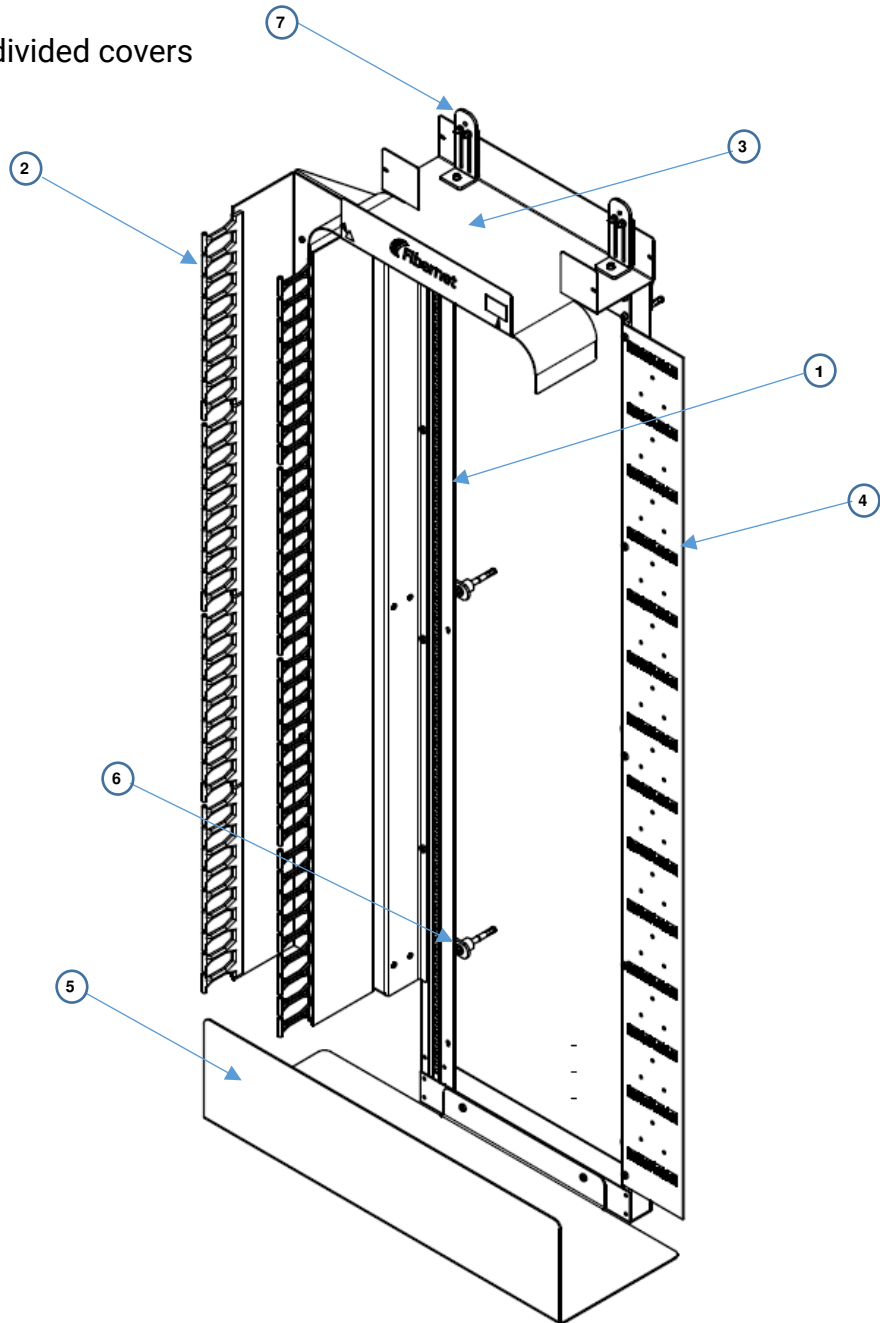
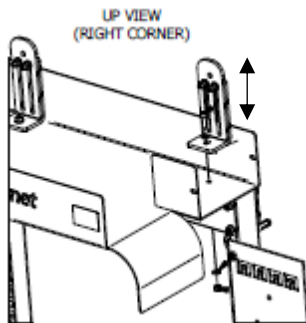
- In conformance with GR-449-CORE standards.
- Compline with EIA-310 19" standard rack.
- Metal rack, open frame.
- Built with spacious of Vertical fiber management for patch-cords,
- Recommended with 2 mm patch-cords, bend-control fixtures for safe slack storage, Side-entry cable management.
- The standard vertical high density cable management dimensions are 200x251mm (Width x Depth).
- Vertical side duct has rear and side openings for easy cable access
- Upper duct with Cable drop, Bend-safe fiber drop separates rack cables yet maintains straight duct line
- Vertical cable holders for cables attachment. The bottom of the base frame contains a duct system used to carry patch cords from one rack side to the other or from one rack to another in a back-to-back or side-to-side configuration.
- Adjustable mounting bracket on the upper side of the rack.
- Designed to be mounted to the wall or to back-to-back racks
- Color: RAL 9005

Construction

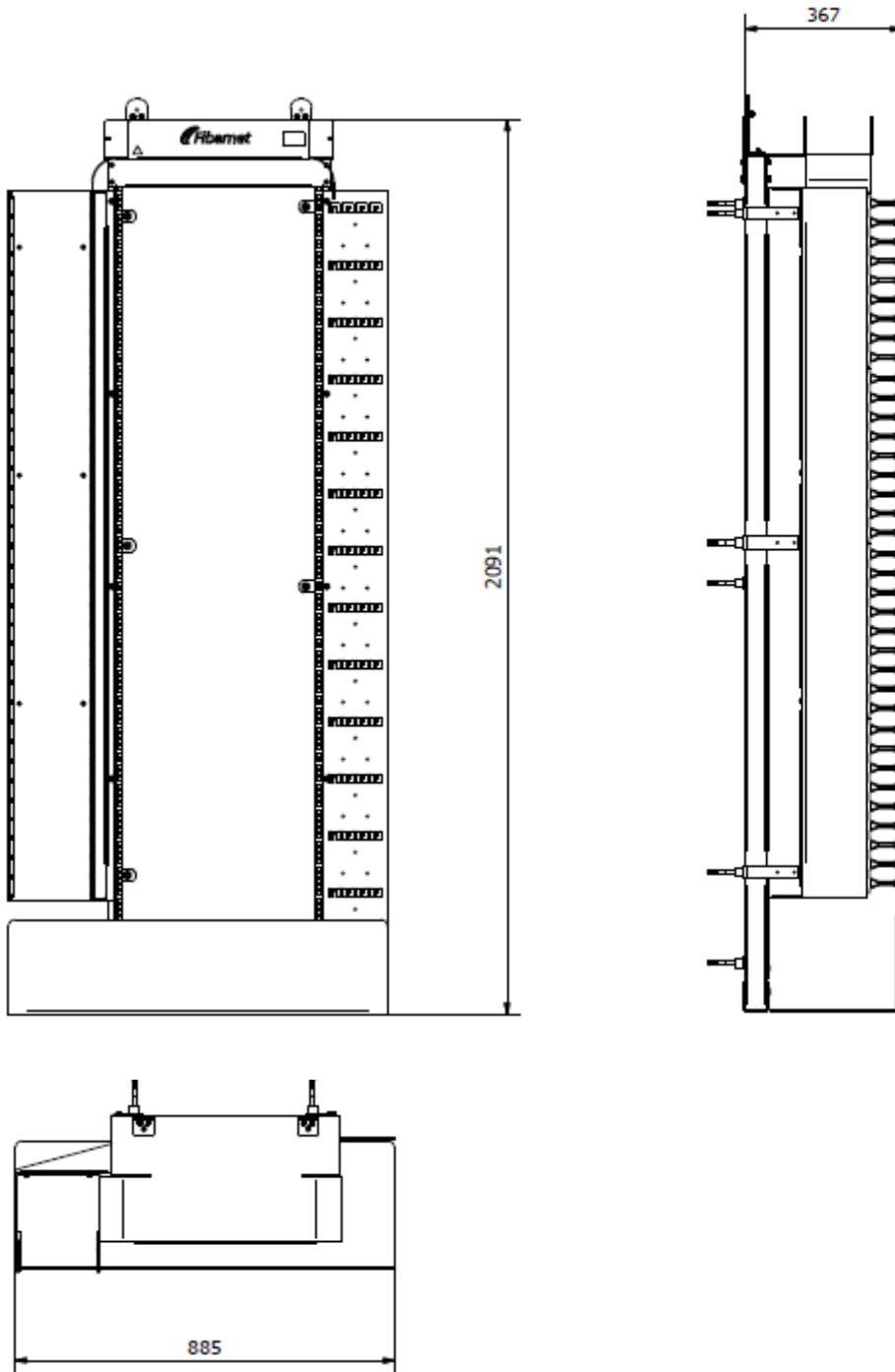
1. 19" Frame
2. Fiber management duct with 3 divided covers
3. Upper duct
4. Feeder cable attachment plate
5. Lower duct
6. 4 anchor clamp position
7. Adjustable brackets



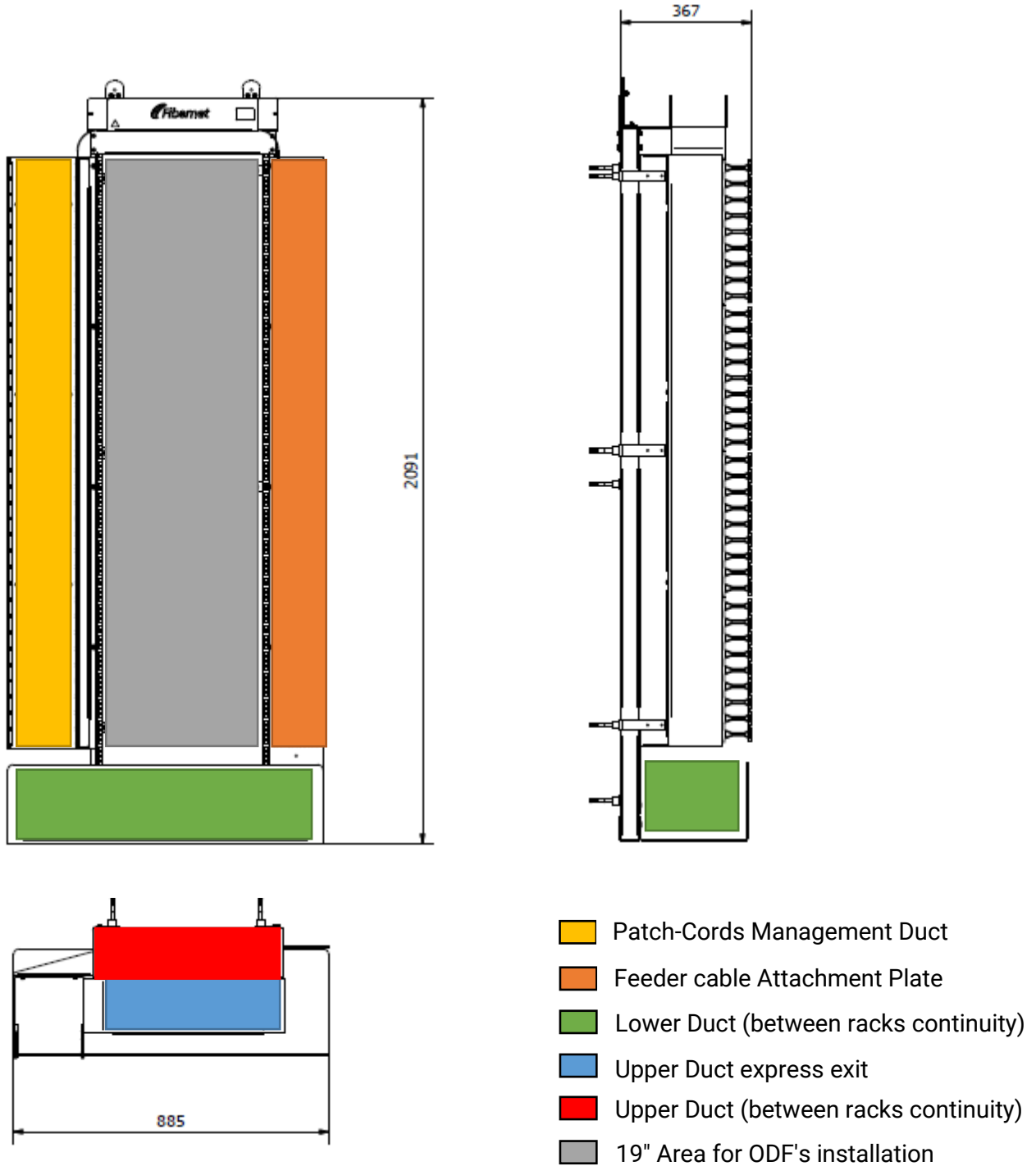
- A. Spacer
- B. Washer
- C. Screw



Dimensions



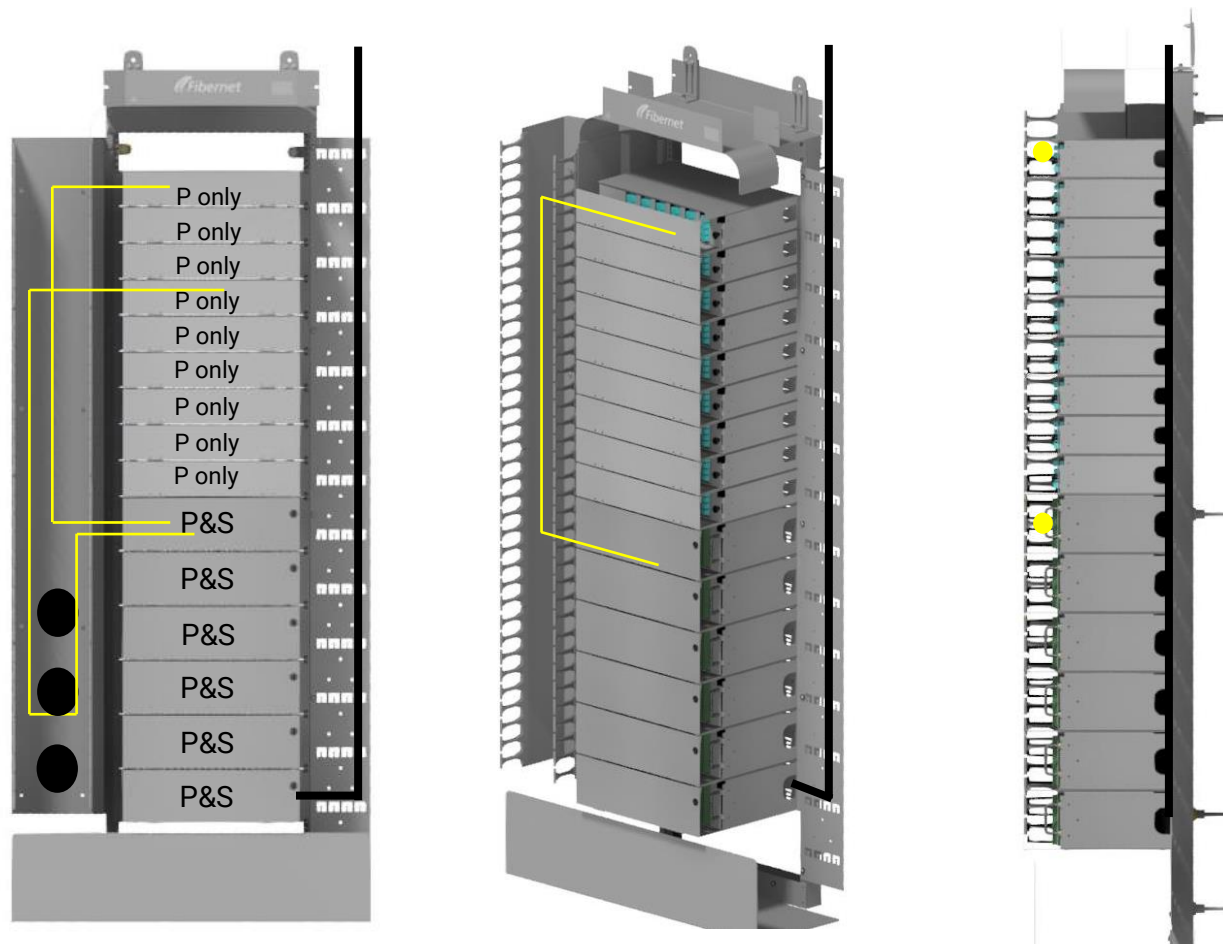
Cable Management



Rev. 0 – March 2019

Cable & Patch-Cords Management

Cross-connect :



- Cross Connect cabling configuration, an individual Patching area, often included two or more patch panels in the same Rack.
- Use a correct length of patch cord between the two patch panels.
- If using longer patch cords with spare length, Optional Spoolers can be install inside the Vertical management duct.
- Feeder Cables should be attach on the dedicated attachment plate (on the left) with suitable cable ties into the patch panel.
- Feeder cables can come from the top or the bottom of the rack.
- Keep a correct Bend radius as specified by your cable manufacturer.

*Additional Spoolers part number available in the bottom of this document

Inter-Connect



- Inter-Connect cabling configuration, often included two or more patch panels who are not located in the same Rack.
- Use a correct length of patch cord between the two patch panels.
- If using longer patch cords with spare length, Optional Spoolers can be install inside the Vertical management duct.
- Rout the Patch Cords in the correct way between racks: Vertical management to upper/lower duct, through the connection bridge between racks and down again to vertical management.
- Feeder Cables should be attach on the dedicated attachment plate (on the left) with suitable cable ties into the patch panel.(see cross-connect)

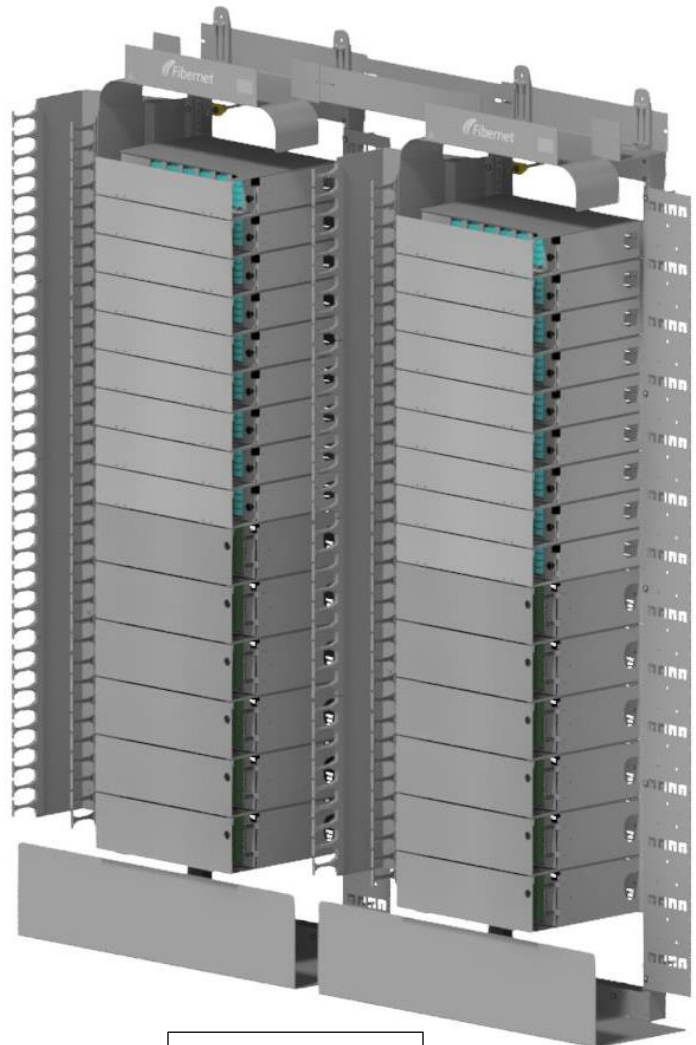
*Additional Spoolers part number available in the bottom of this document

March 2019

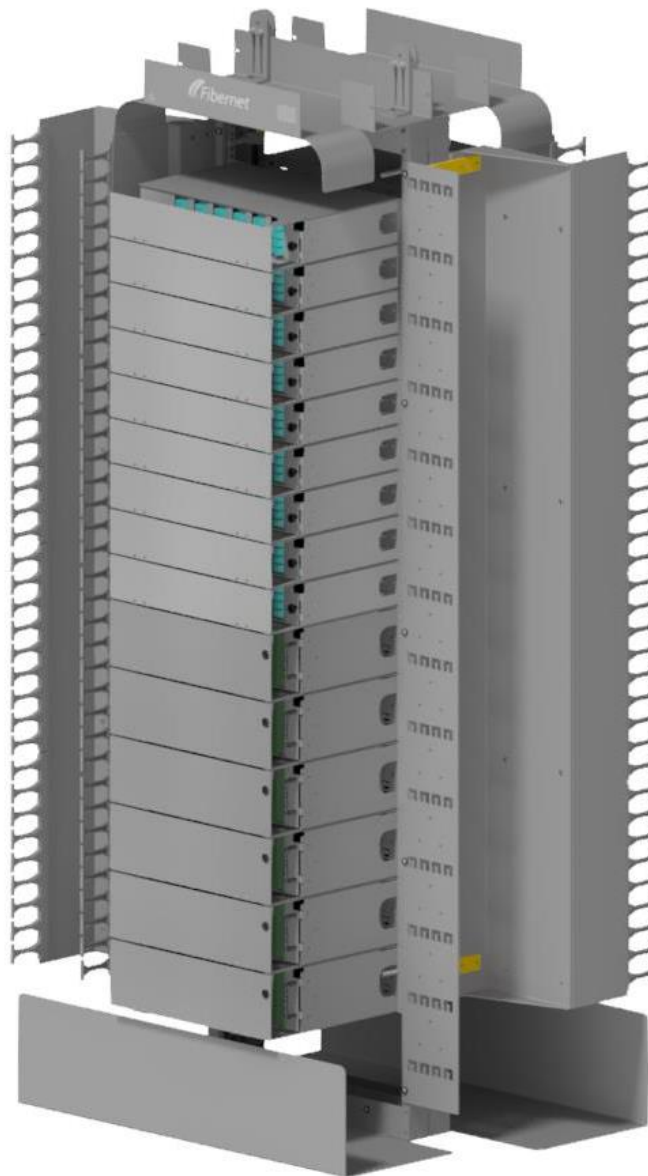
Configurations



Stand Alone



Side by Side



[Back to Back](#)

- In Back to Back Configuration use Additional installation Kit to attach the racks Back to Back
- Use the Lower duct Opening to route you Patch cord from Rack to Rack
- Additional option – Use Hair panels between patch panel to route patch cords from one side to the other

Fibernet Front Access rack System – Part numbers

1	FDF-FA22S	Front access racks 19" 2.2meters
2	MPF2512	Connection Bridge between front access racks
3	FDF-FA-B2B	Installation kit for back to back front access racks
4	Q-HDWM-FSS-50	1 Pair of spoolers for Vertical Management 50mm depth
5	MPF2123	19" Hair panel
6	FPAR-OP0006	3U ODF 144 SC/APC Patch & Splice SM G657A2 Front Access
7	FPAR-OP0007	3U ODF 144 SC/APC Patch Only SM Front Access
8	FPAR-OP0016	1U ODF 48 LC/UPC Patch Only SM Front Access
9	FPAR-OP0017	2U ODF 96 LC/UPC Patch Only SM Front Access

For Any additional Information , Please contact us at : Sales@Fibernet.co.il