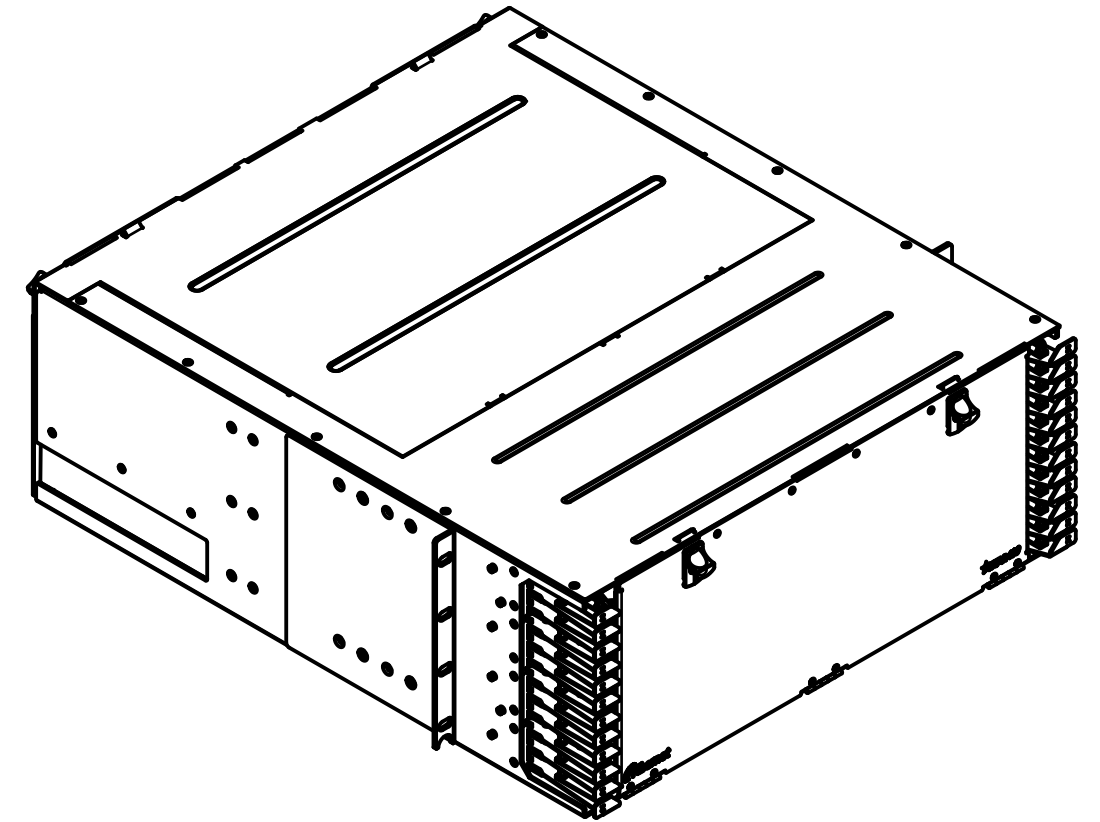
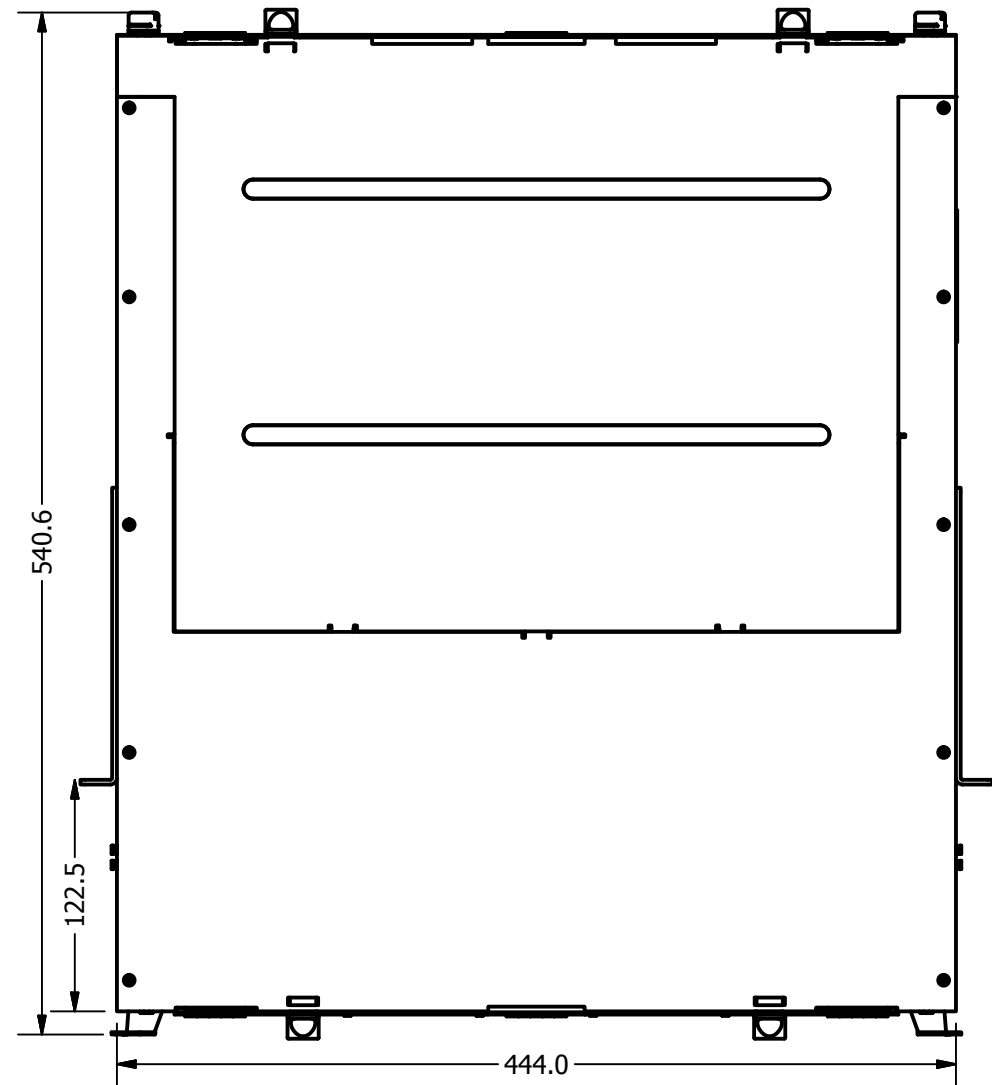
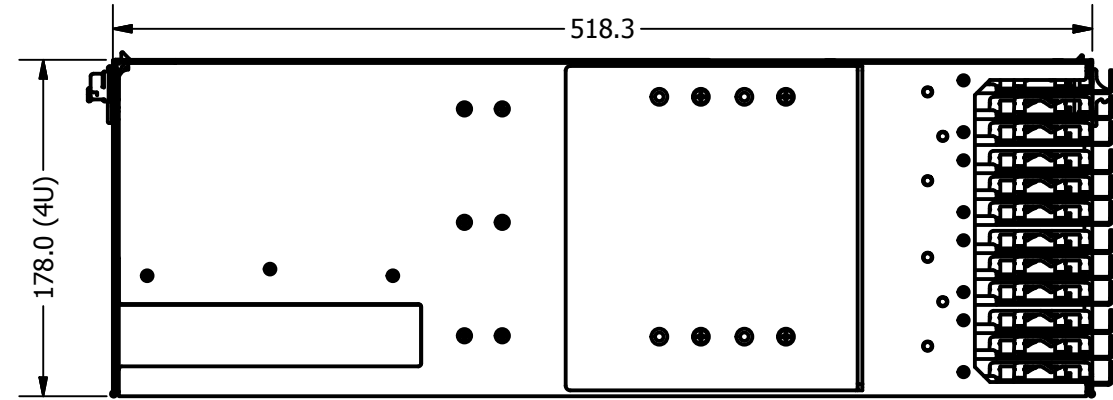
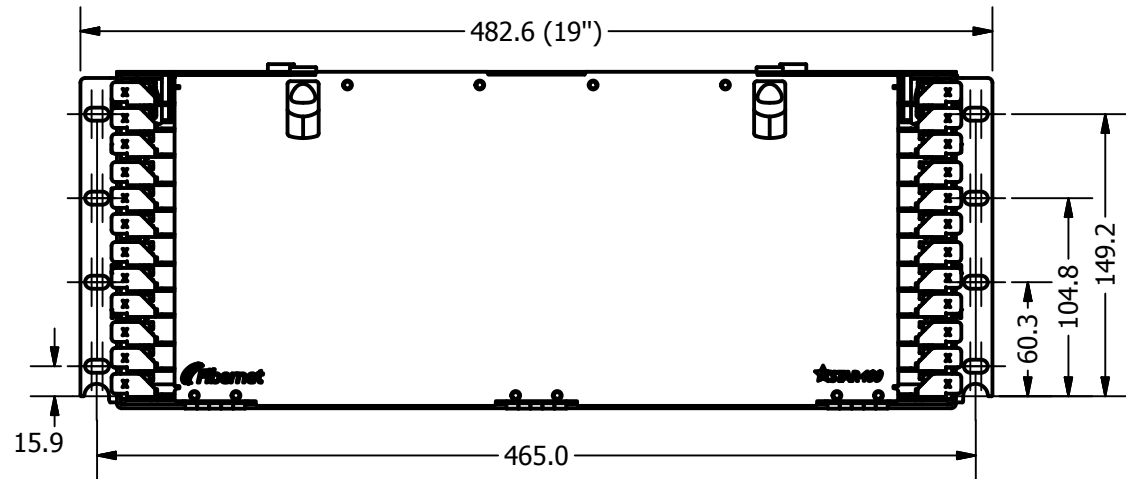
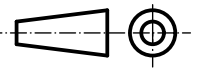


REVISION HISTORY			
REV	DESCRIPTION	DATE	APPROVED
5	UPDATE DESIGN	16/12/2019	Yehuda.M.Y.



THIS DOCUMENT AND THE INFORMATION CONTAINED IN IT ARE PROPRIETARY AND CONFIDENTIAL TO FIBERNET AND NO PERSON IS ALLOWED TO COPY, REPRINT, REPRODUCE OR PUBLISH ANY PART OF THIS DOCUMENT, NOR DISCLOSE ITS CONTENTS TO OTHERS, NOR MAKE ANY USE OF IT, NOR ALLOW OR ASSIST OTHERS TO MAKE ANY USE OF IT - UNLESS BY THE PRIOR WRITTEN EXPRESS AUTORIZATION OF FIBERNET AND THEN ONLY TO THE EXTENT AUTHORIZED.
(C) COPYRIGHT - FIBERNET.



DRAWN	16/12/2019
DESIGN	16/12/2019
CHECKED	16/12/2019
APPROVED	16/12/2019
QA	16/12/2019

Fibernet TEL: 972-4-9095555 FAX: 972-4-9590047
ADDRESS: POB.512, SCIENCE INDUSTRIES PARK (MANSURA), YOKNEAM ZIP 20692 ISRAEL

TITLE
STAR ODF 4U 19"- UP TO 72 MODULES

TOLERANCES (ACCORDING ISO2768):	
0-30	±0.2
30-120	±0.3
120-400	±0.5
400-1000	±0.8
1000- >1000	±1.2
ANG	±1°

SIZE	SCALE	PART NUMBER	REV
		FSTAR400-4U	5
ASSEMBLING PART NUMBER	FSTAR400-4U	REV	SHEET 1 OF 1