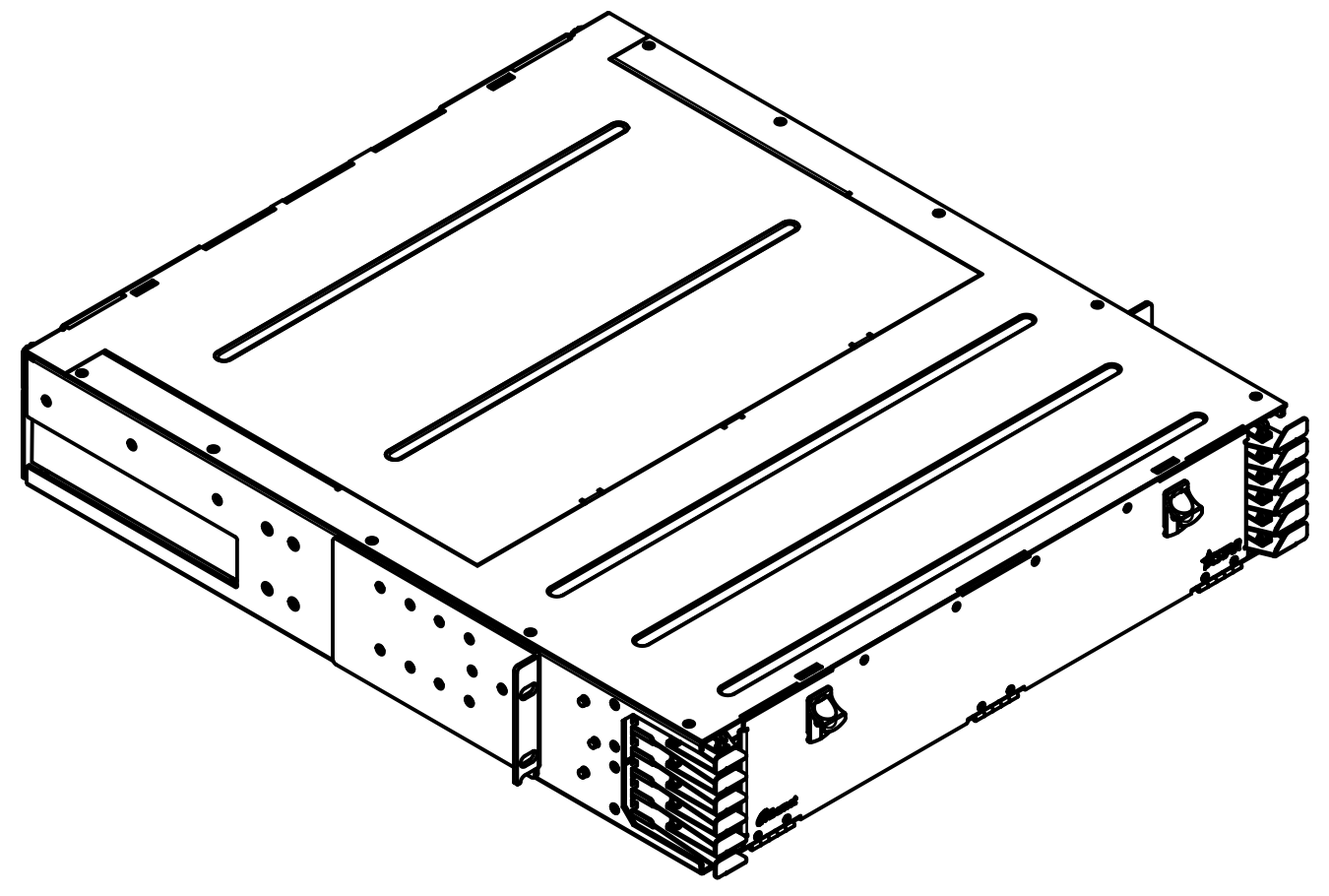
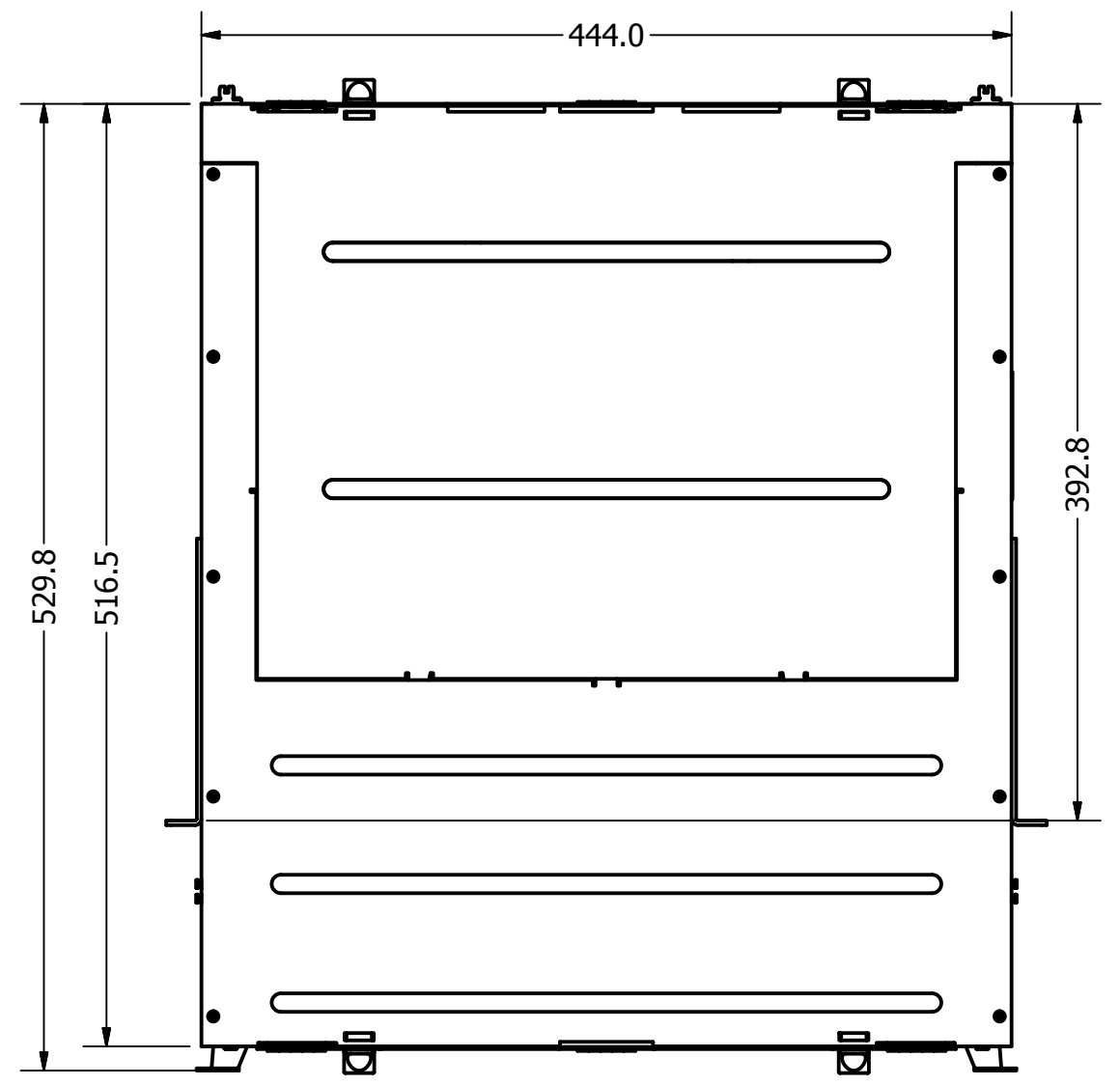
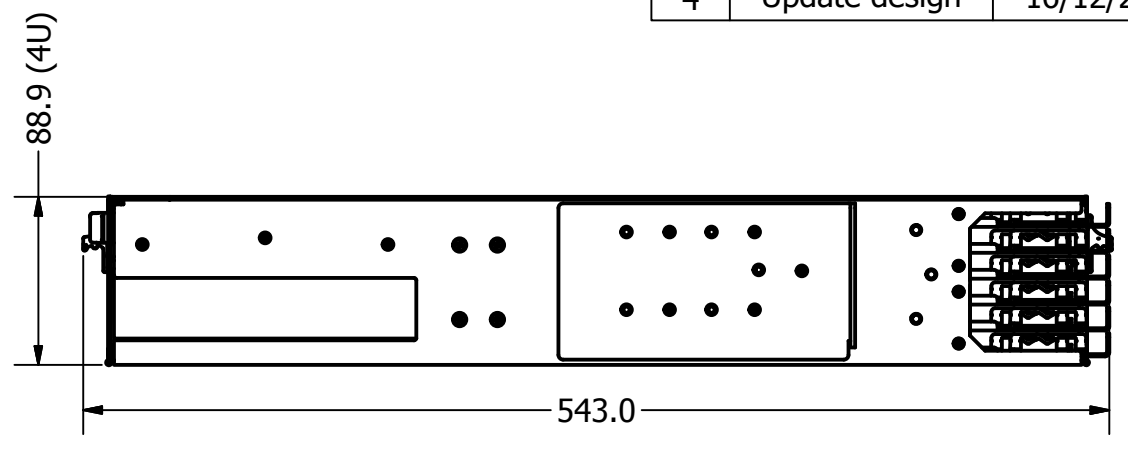
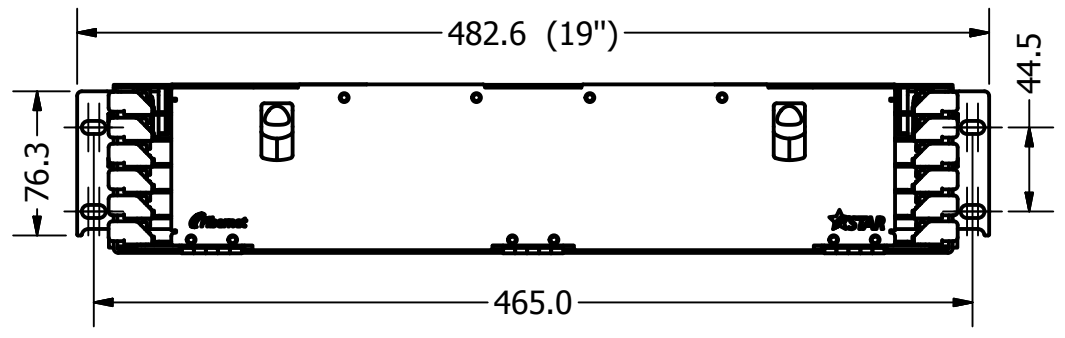
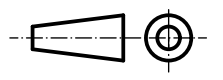


REVISION HISTORY			
REV	DESCRIPTION	DATE	APPROVED
4	Update design	16/12/2019	Yehuda .M.Y



THIS DOCUMENT AND THE INFORMATION CONTAINED IN IT ARE PROPRIETARY AND CONFIDENTIAL TO FIBERNET AND NO PERSON IS ALLOWED TO COPY, REPRINT, REPRODUCE OR PUBLISH ANY PART OF THIS DOCUMENT, NOR DISCLOSE ITS CONTENTS TO OTHERS, NOR MAKE ANY USE OF IT, NOR ALLOW OR ASSIST OTHERS TO MAKE ANY USE OF IT - UNLESS BY THE PRIOR WRITTEN EXPRESS AUTORIZATION OF FIBERNET AND THEN ONLY TO THE EXTENT AUTHORIZED.
(C) COPYRIGHT - FIBERNET.



DRAWN	Denis.I	16/12/2019
DESIGN	Denis.I	16/12/2019
CHECKED	ERIC.M	16/12/2019
APPROVED	Yehuda.M.Y	16/12/2019
QA	Adi A.	16/12/2019

Fibernet TEL: 972-4-9095555 FAX: 972-4-9590047
 ADDRESS: POB.512, SCIENCE INDUSTRIES PARK (MANSURA), YOKNEAM ZIP 20692 ISRAEL

TITLE
STAR ODF 2U 19"- UP TO 24 MODULES

TOLERANCES (ACCORDING ISO2768):

0-30	±0.2
30-120	±0.3
120-400	±0.5
400-1000	±0.8
1000- >1000	±1.2
ANG	±1°

SIZE	SCALE	PART NUMBER	REV
		FSTAR-2U	4
ASSEMBLING PART NUMBER	FSTAR-2U	REV	SHEET 1 OF 1