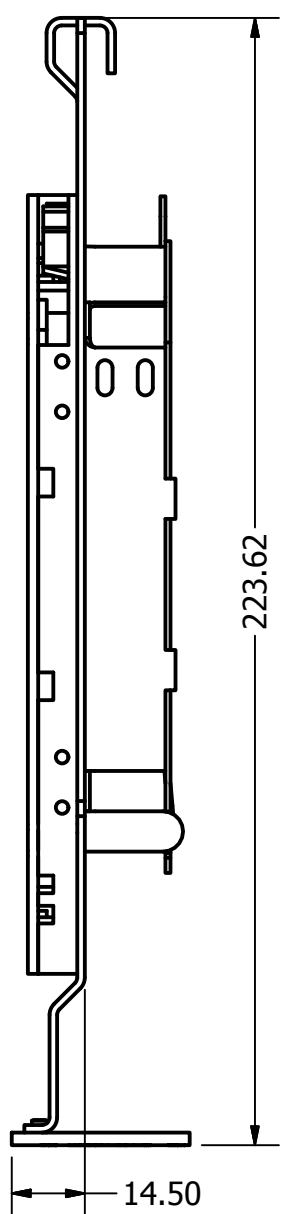
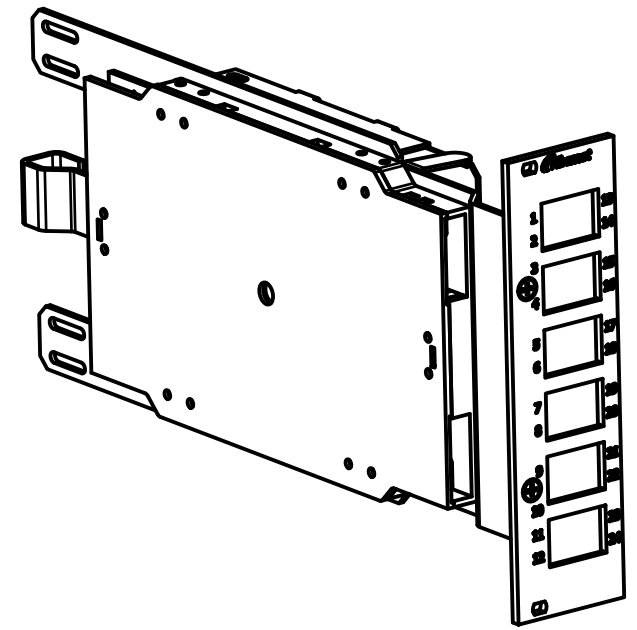
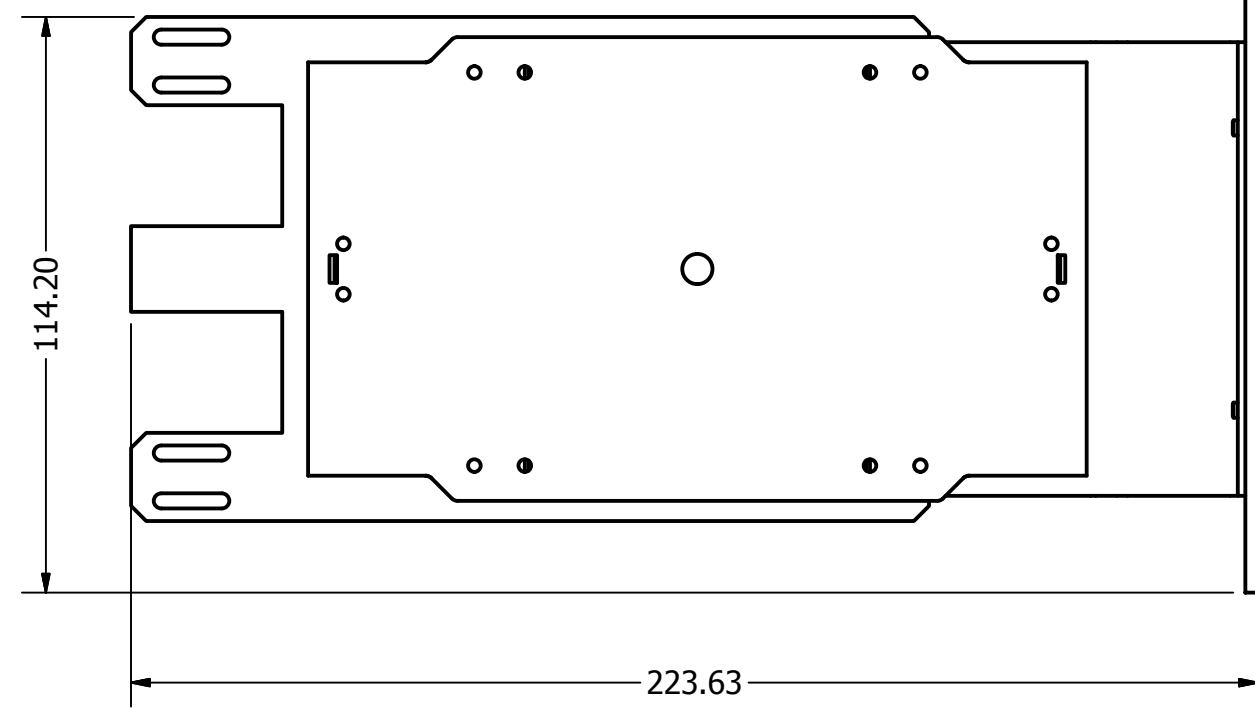
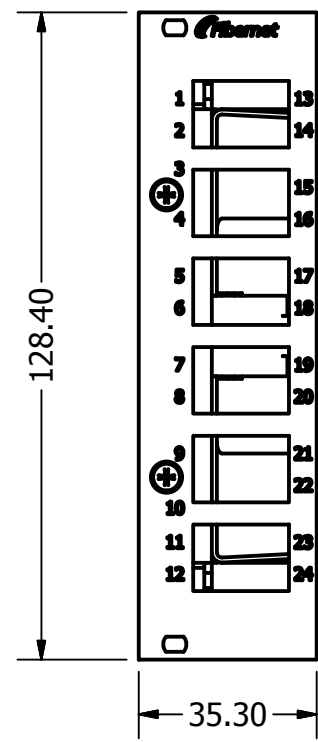
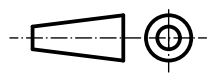


REVISION HISTORY			
REV	DESCRIPTION	DATE	APPROVED
0	Initial revision	09/07/2020	Denis L.



THIS DOCUMENT AND THE INFORMATION CONTAINED IN IT ARE PROPRIETARY AND CONFIDENTIAL TO FIBERNET AND NO PERSON IS ALLOWED TO COPY, REPRINT, REPRODUCE OR PUBLISH ANY PART OF THIS DOCUMENT, NOR DISCLOSE ITS CONTENTS TO OTHERS, NOR MAKE ANY USE OF IT, NOR ALLOW OR ASSIST OTHERS TO MAKE ANY USE OF IT - UNLESS BY THE PRIOR WRITTEN EXPRESS AUTHORIZATION OF FIBERNET AND THEN ONLY TO THE EXTENT AUTHORIZED.
(C) COPYRIGHT - FIBERNET.



DRAWN	Denis.I	09/07/2020
DESIGN	Denis.I	09/07/2020
CHECKED	Benny B.	09/07/2020
APPROVED	Eric M.	09/07/2020
QA	Anna U.	09/07/2020

Fibernet TEL: 972-4-9095555 FAX: 972-4-9590047
ADDRESS: POB.512, SCIENCE INDUSTRIES PARK (MANSURA), YOKNEAM ZIP 20692 ISRAEL

TOLERANCES (ACCORDING ISO2768):

0-30	±0.2
30-120	±0.3
120-400	±0.5
400-1000	±0.8
1000- >1000	±1.2
ANG	±1°

TITLE		FO CONN. MODULE 6 LC QUAD SM + PIGTAILS -24F	
SIZE	SCALE	PART NUMBER	REV
		FS5424U	0
ASSEMBLING PART NUMBER	REV	SHEET 1 OF 1	
FS5424U			