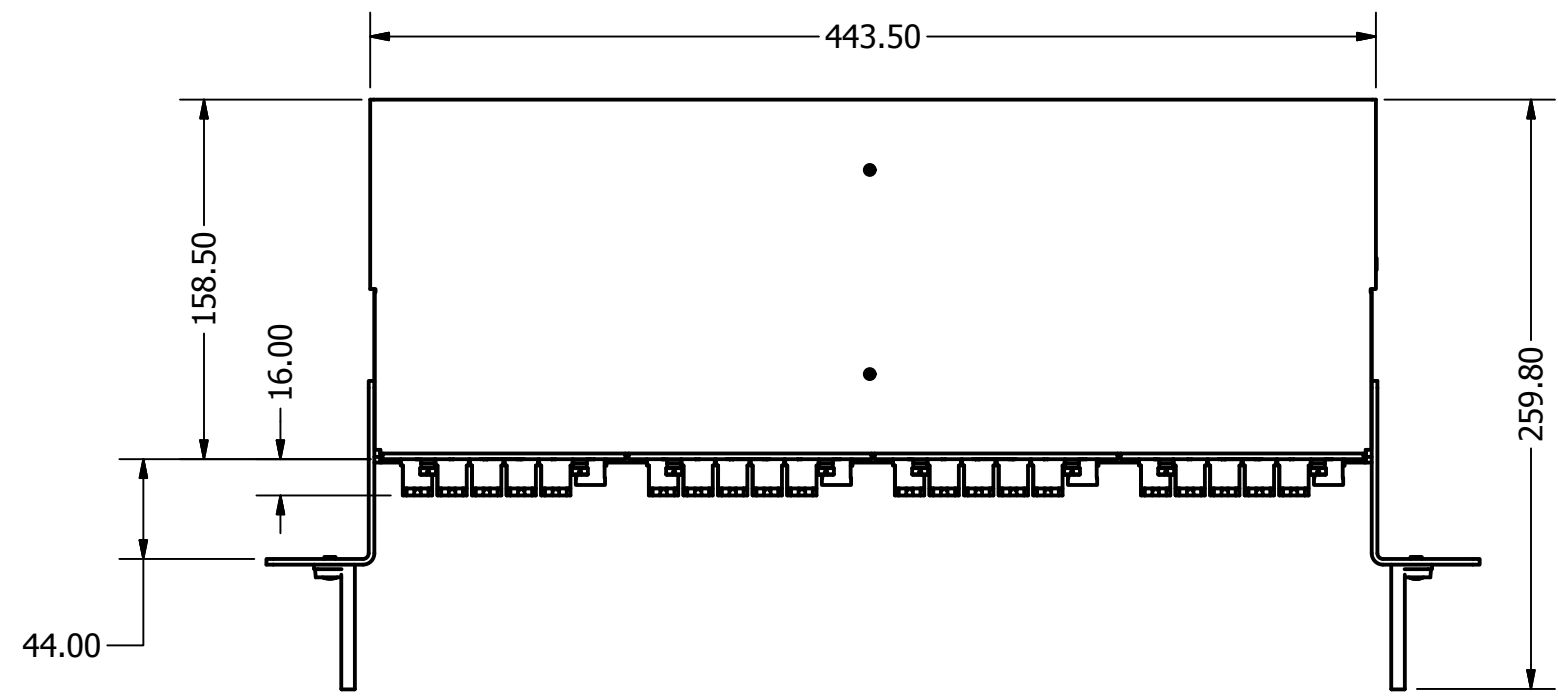
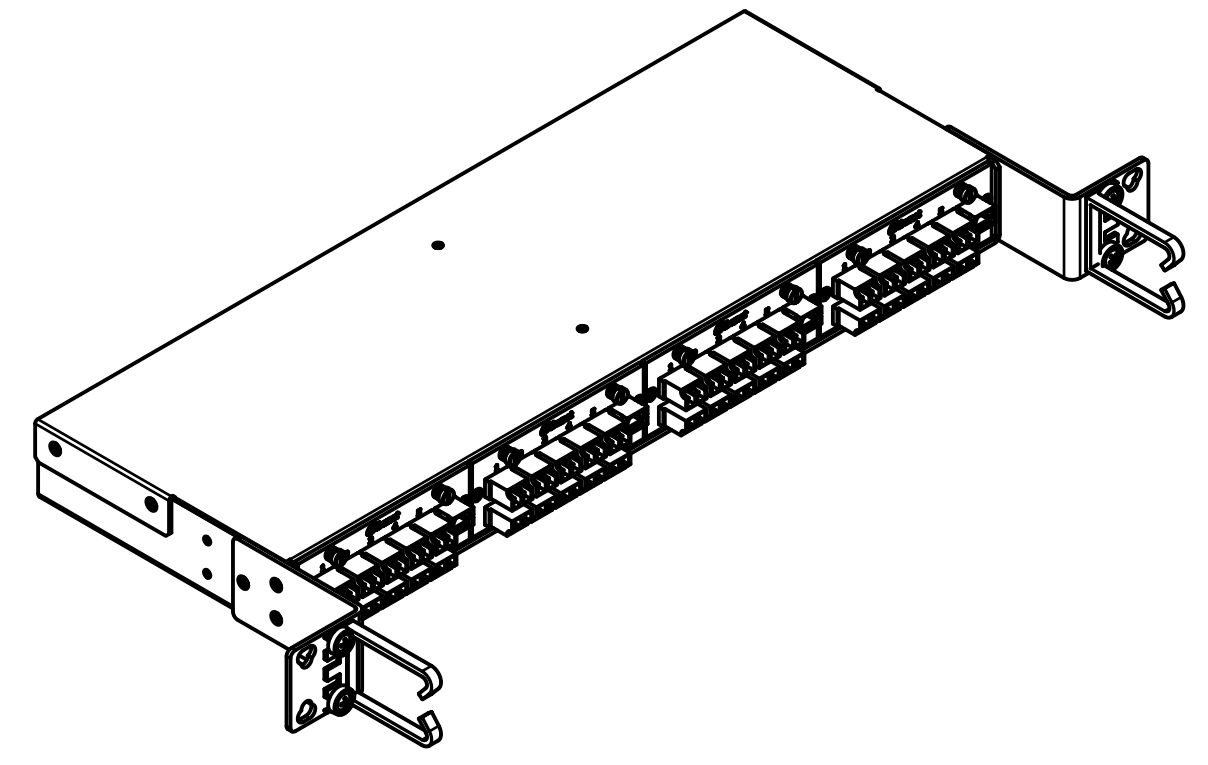
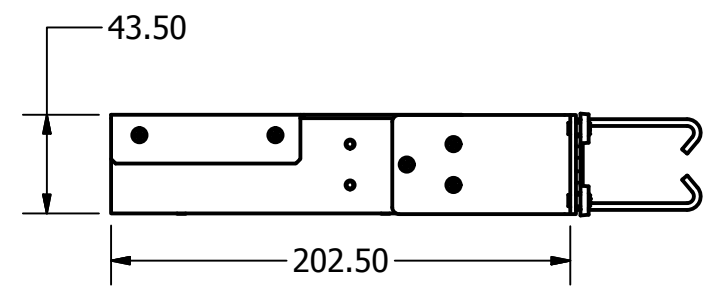
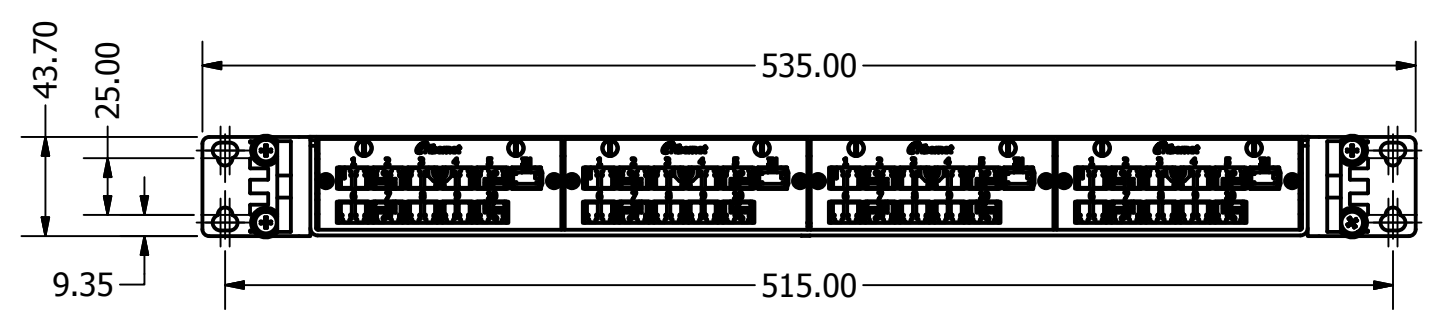
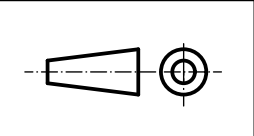


REVISION HISTORY			
REV	DESCRIPTION	DATE	APPROVED
0	RELEASE	25.04.2017	Denis L.



THIS DOCUMENT AND THE INFORMATION CONTAINED IN IT ARE PROPRIETARY AND CONFIDENTIAL TO FIBERNET AND NO PERSON IS ALLOWED TO COPY, REPRINT, REPRODUCE OR PUBLISH ANY PART OF THIS DOCUMENT, NOR DISCLOSE ITS CONTENTS TO OTHERS, NOR MAKE ANY USE OF IT, NOR ALLOW OR ASSIST OTHERS TO MAKE ANY USE OF IT - UNLESS BY THE PRIOR WRITTEN EXPRESS AUTORIZATION OF FIBERNET AND THEN ONLY TO THE EXTENT AUTHORIZED.
(C) COPYRIGHT - FIBERNET.



DRAWN	zamir.l	17/12/2019
DESIGN	zamir.l	17/12/2019
CHECKED	ERIC.M	17/12/2019
APPROVED	YEHUDA.M.Y	17/12/2019
QA	Adi A.	17/12/2019

Fibernet TEL: 972-4-9095555 FAX: 972-4-9590047
ADDRESS: POB.512, SCIENCE INDUSTRIES PARK (MANSURA), YOKNEAM ZIP 20692 ISRAEL

TOLERANCES (ACCORDING ISO2768):

0-30	±0.2
30-120	±0.3
120-400	±0.5
400-1000	±0.8
1000- >1000	±1.2
ANG	±1°

TITLE		FMT4F 1U FO MODULAR FRONT ACCESS PATCH PANEL	
SIZE	SCALE	PART NUMBER	REV
		FMT4F-1U	0
ASSEMBLING PART NUMBER	REV	SHEET 1 OF 1	
FMT4F-1U		6	