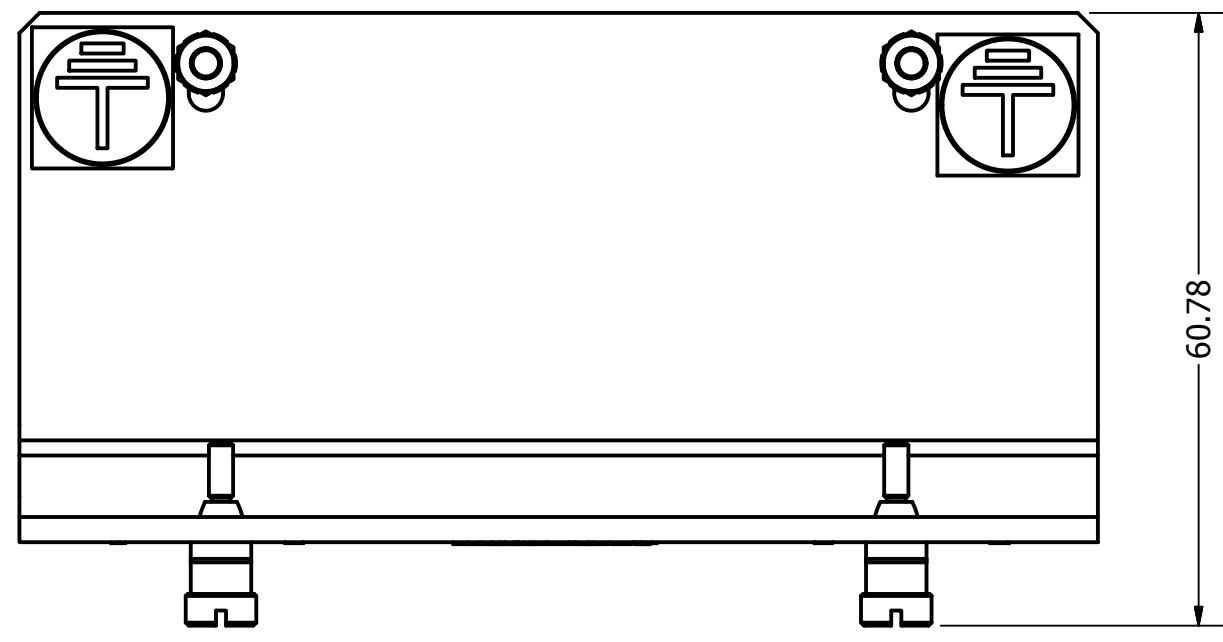
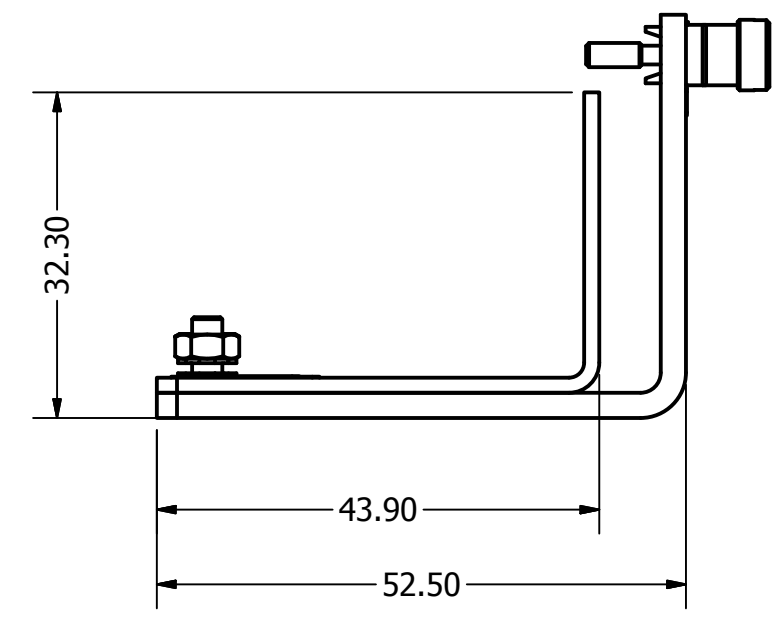
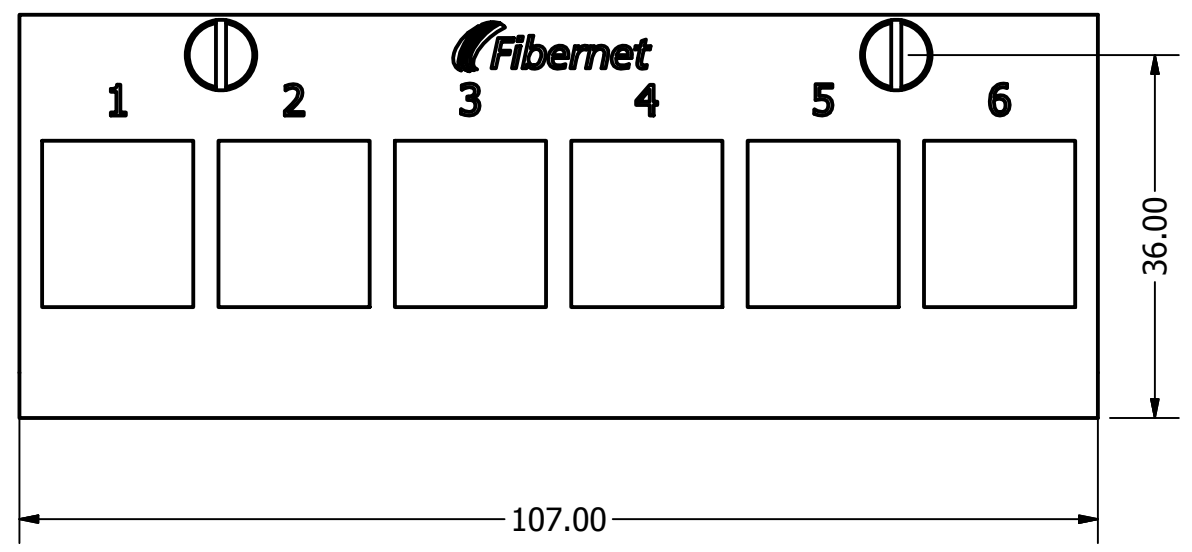


REVISION HISTORY			
REV	DESCRIPTION	DATE	APPROVED
0	Initial revision	09/07/2020	Eric M.



THIS DOCUMENT AND THE INFORMATION CONTAINED IN IT ARE PROPRIETARY AND CONFIDENTIAL TO FIBERNET AND NO PERSON IS ALLOWED TO COPY, REPRINT, REPRODUCE OR PUBLISH ANY PART OF THIS DOCUMENT, NOR DISCLOSE ITS CONTENTS TO OTHERS, NOR MAKE ANY USE OF IT, NOR ALLOW OR ASSIST OTHERS TO MAKE ANY USE OF IT - UNLESS BY THE PRIOR WRITTEN EXPRESS AUTHORIZATION OF FIBERNET AND THEN ONLY TO THE EXTENT AUTHORIZED.
(C) COPYRIGHT - FIBERNET.

TEL: 972-4-9095555 FAX: 972-4-9590047
ADDRESS: POB.512, SCIENCE INDUSTRIES PARK (MANSURA), YOKNEAM ZIP 20692 ISRAEL

DRAWN Denis.I	09/07/2020	Fibernet TITLE FMT4 PANEL FOR 6 KEYSTONES
DESIGN Denis.I	09/07/2020	
CHECKED Benny B.	09/07/2020	
APPROVED Eric M.	09/07/2020	
QA Anna U.	09/07/2020	

TOLERANCES (ACCORDING ISO2768):		SIZE	SCALE	PART NUMBER	REV
0-30	±0.2			FMT4-RJ45	0
30-120	±0.3				
120-400	±0.5				
400-1000	±0.8				
1000- >1000	±1.2				
ANG	±1°				

ASSEMBLING PART NUMBER	REV	SHEET
FMT4-RJ45		1 OF 1