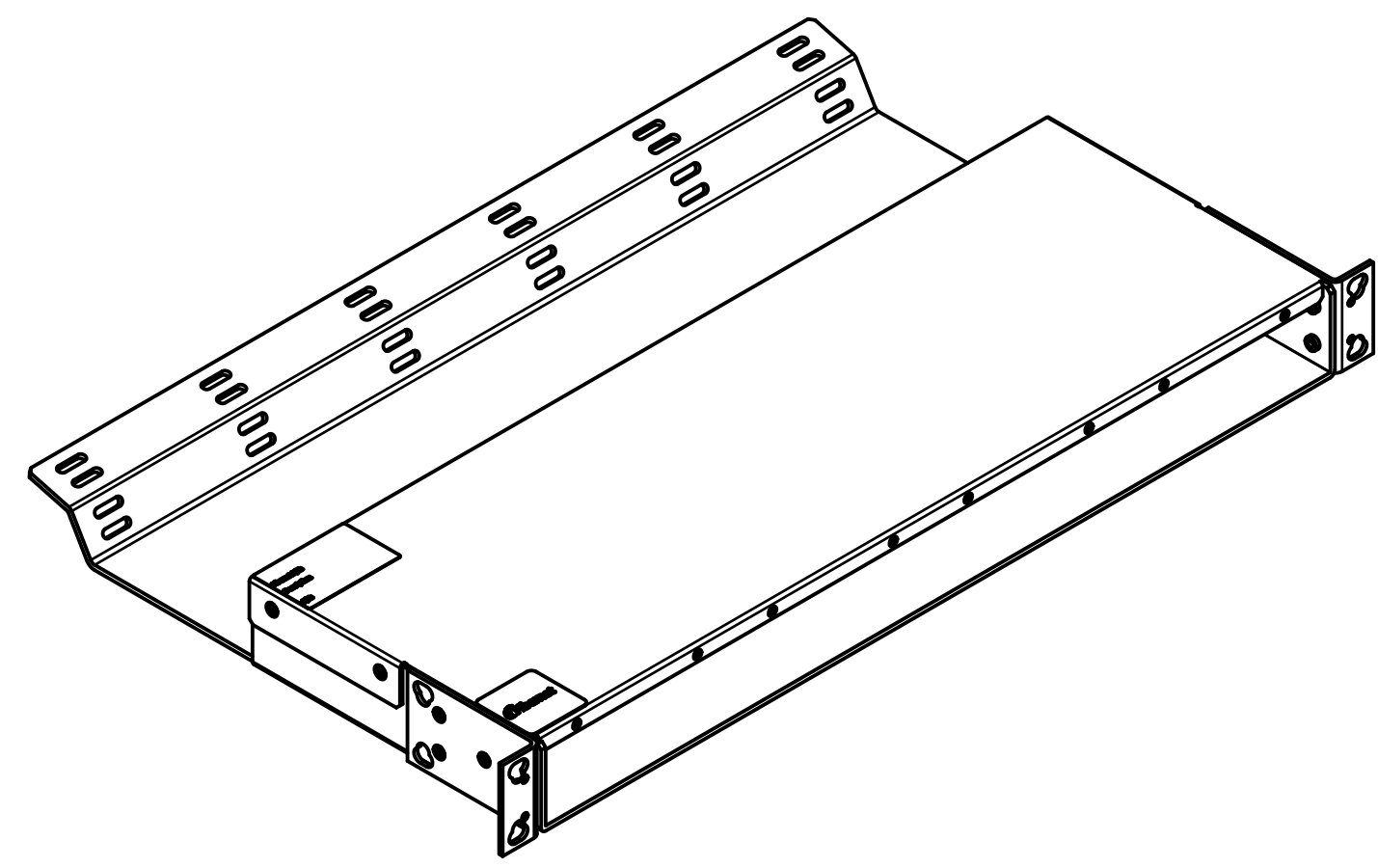
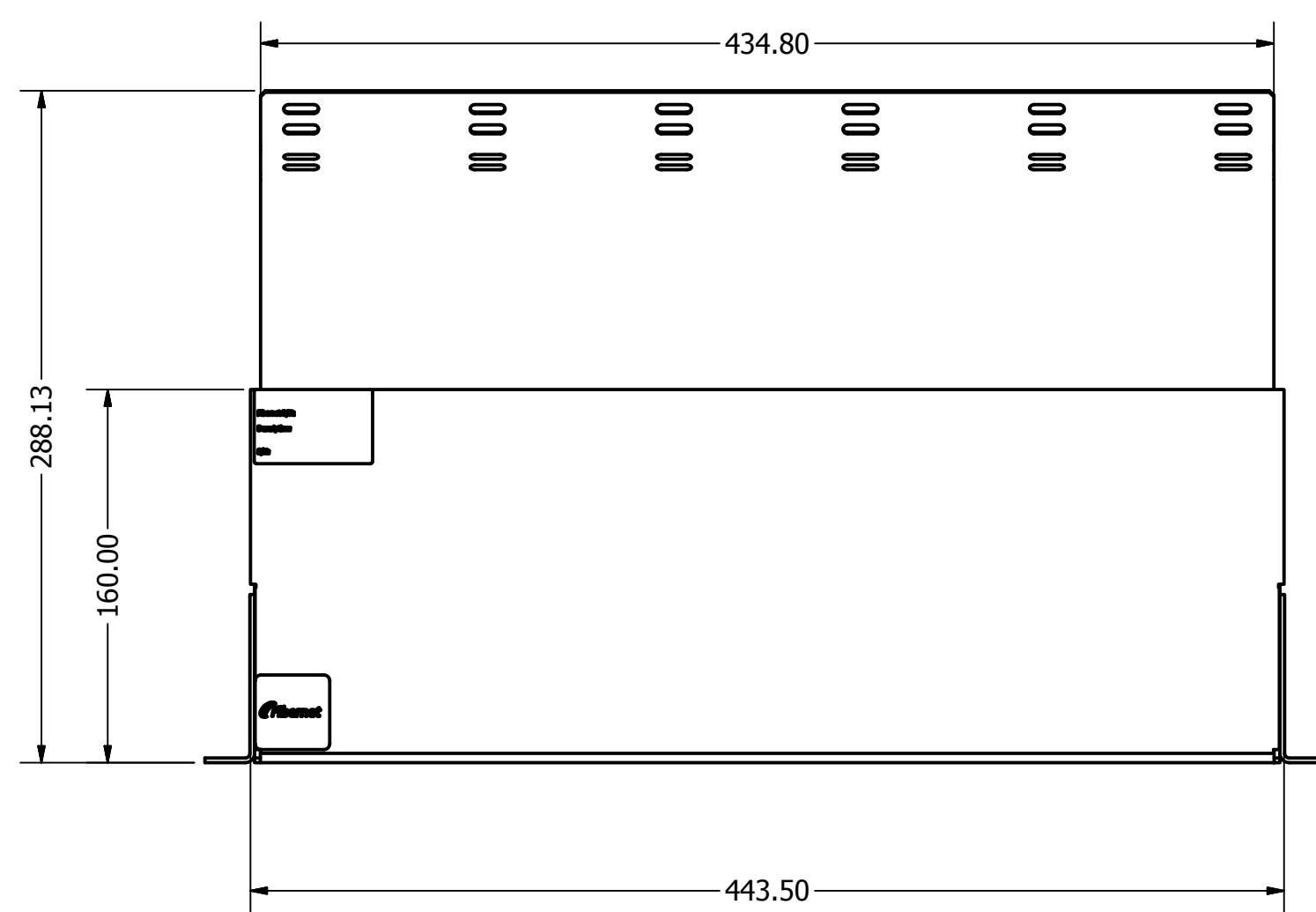
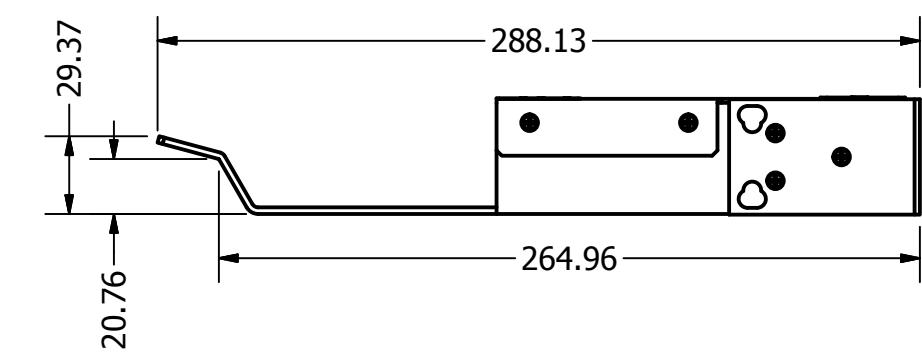
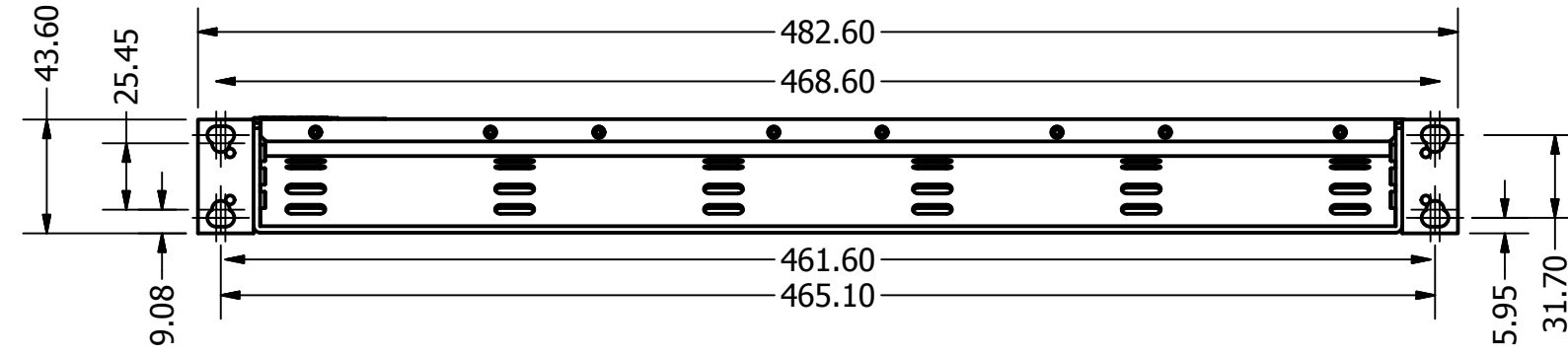
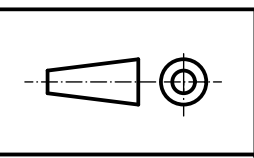


| REVISION HISTORY |             |            |          |
|------------------|-------------|------------|----------|
| REV              | DESCRIPTION | DATE       | APPROVED |
| 2                | RELEASE     | 25.04.2017 | Denis L. |



THIS DOCUMENT AND THE INFORMATION CONTAINED IN IT ARE PROPRIETARY AND CONFIDENTIAL TO FIBERNET AND NO PERSON IS ALLOWED TO COPY, REPRINT, REPRODUCE OR PUBLISH ANY PART OF THIS DOCUMENT, NOR DISCLOSE ITS CONTENTS TO OTHERS, NOR MAKE ANY USE OF IT, NOR ALLOW OR ASSIST OTHERS TO MAKE ANY USE OF IT - UNLESS BY THE PRIOR WRITTEN EXPRESS AUTHORIZATION OF FIBERNET AND THEN ONLY TO THE EXTENT AUTHORIZED.  
(C) COPYRIGHT - FIBERNET.



|          |            |            |
|----------|------------|------------|
| DRAWN    | zamir.l    | 17/12/2019 |
| DESIGN   | zamir.l    | 17/12/2019 |
| CHECKED  | ERIC.M     | 17/12/2019 |
| APPROVED | YEHUDA.M.Y | 17/12/2019 |
| QA       | Adi A.     | 17/12/2019 |

**Fibernet** TEL: 972-4-9095555 FAX: 972-4-9590047  
ADDRESS: POB.512, SCIENCE INDUSTRIES PARK (MANSURA), YOKNEAM ZIP 20692 ISRAEL

TOLERANCES (ACCORDING ISO2768):

|             |      |
|-------------|------|
| 0-30        | ±0.2 |
| 30-120      | ±0.3 |
| 120-400     | ±0.5 |
| 400-1000    | ±0.8 |
| 1000- >1000 | ±1.2 |
| ANG         | ±1°  |

|                                 |         |             |              |
|---------------------------------|---------|-------------|--------------|
| TITLE                           |         |             |              |
| FAST CONNECTION MODULE PANEL 1U |         |             |              |
| SIZE                            | SCALE   | PART NUMBER | REV          |
|                                 |         | FMT4-1U     | 2            |
| ASSEMBLING PART NUMBER          | FMT4-1U | REV         | SHEET 1 OF 1 |