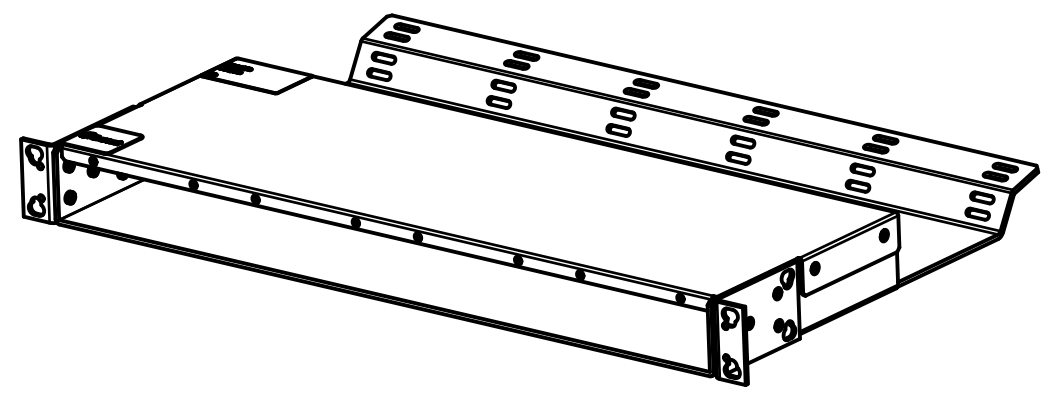
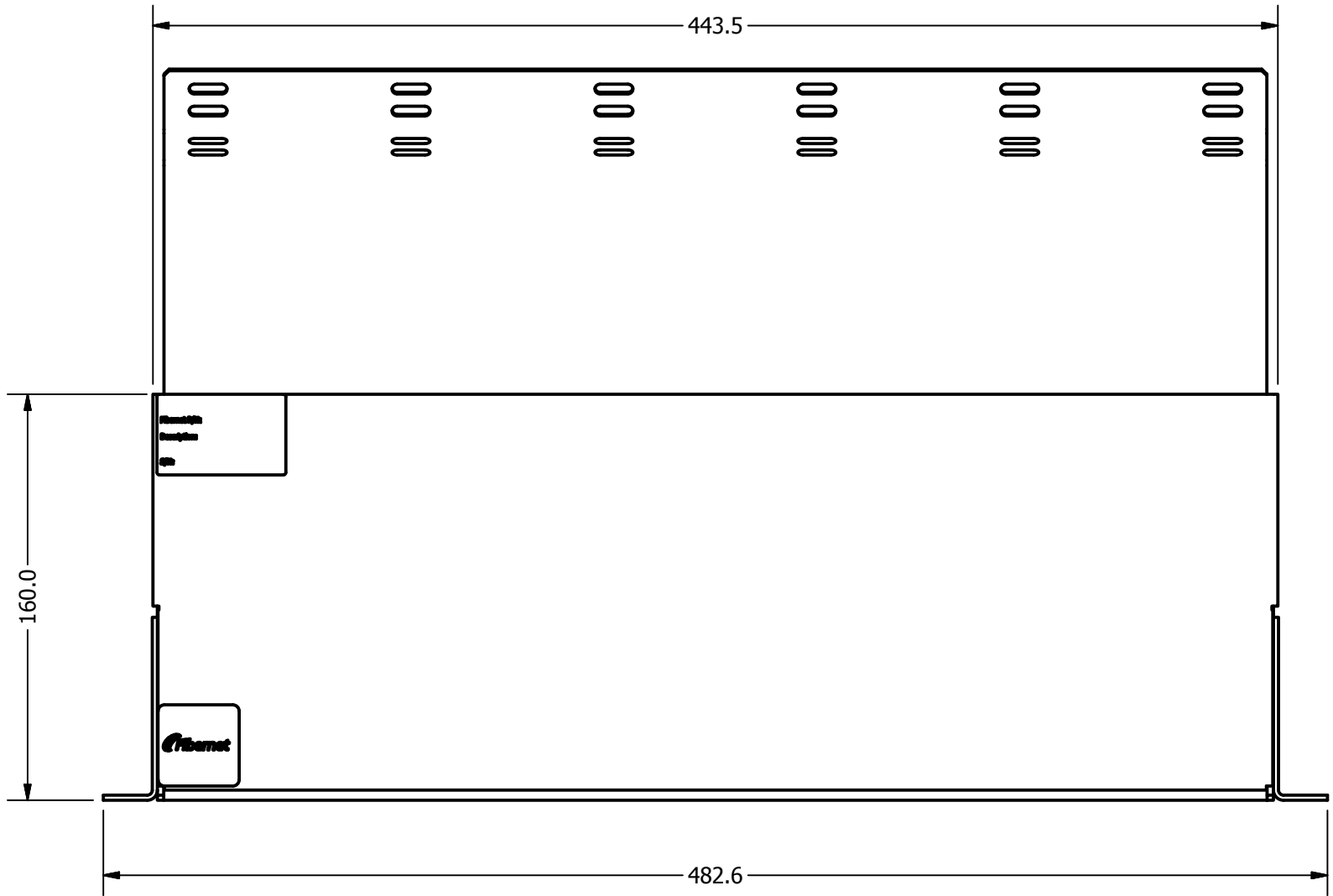
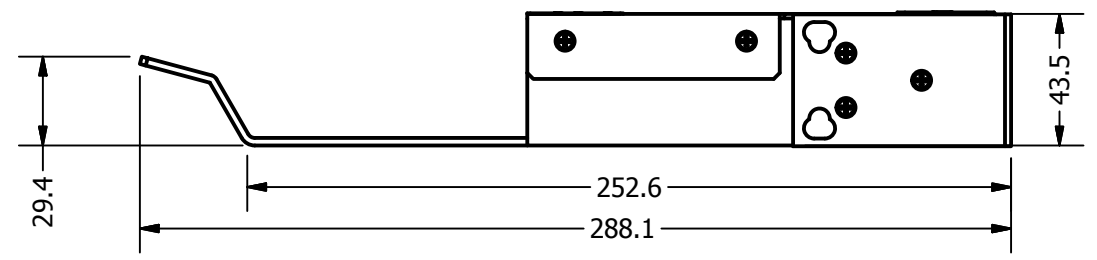
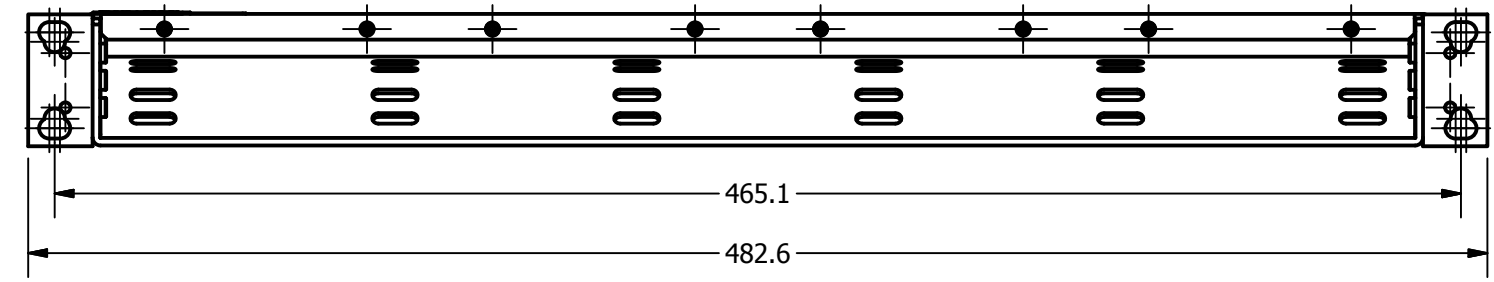
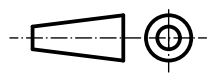


REVISION HISTORY			
REV	DESCRIPTION	DATE	APPROVED
0	Initial revision	08/07/2020	Eric M.



THIS DOCUMENT AND THE INFORMATION CONTAINED IN IT ARE PROPRIETARY AND CONFIDENTIAL TO FIBERNET AND NO PERSON IS ALLOWED TO COPY, REPRINT, REPRODUCE OR PUBLISH ANY PART OF THIS DOCUMENT, NOR DISCLOSE ITS CONTENTS TO OTHERS, NOR MAKE ANY USE OF IT, NOR ALLOW OR ASSIST OTHERS TO MAKE ANY USE OF IT - UNLESS BY THE PRIOR WRITTEN EXPRESS AUTORIZATION OF FIBERNET AND THEN ONLY TO THE EXTENT AUTHORIZED.  
(C) COPYRIGHT - FIBERNET.



DRAWN	08/07/2020
DESIGN	08/07/2020
CHECKED	08/07/2020
APPROVED	08/07/2020
QA	08/07/2020

**Fibernet** TEL: 972-4-9095555 FAX: 972-4-9590047  
ADDRESS: POB.512, SCIENCE INDUSTRIES PARK (MANSURA), YOKNEAM ZIP 20692 ISRAEL

TITLE	
FAST CONNECTION MODULE PANEL 1U	

TOLERANCES (ACCORDING ISO2768):	
0-30	±0.2
30-120	±0.3
120-400	±0.5
400-1000	±0.8
1000- >1000	±1.2
ANG	±1°

SIZE	SCALE	PART NUMBER	REV
		FMT4-1U	0
ASSEMBLING PART NUMBER	FMT4-1U	REV	SHEET 1 OF 1