



RoHS
Compliant

REVISION HISTORY			
REV	DESCRIPTION	DATE	APPROVED
0	Initial revision	08/07/2020	Eric M.

A

A

B

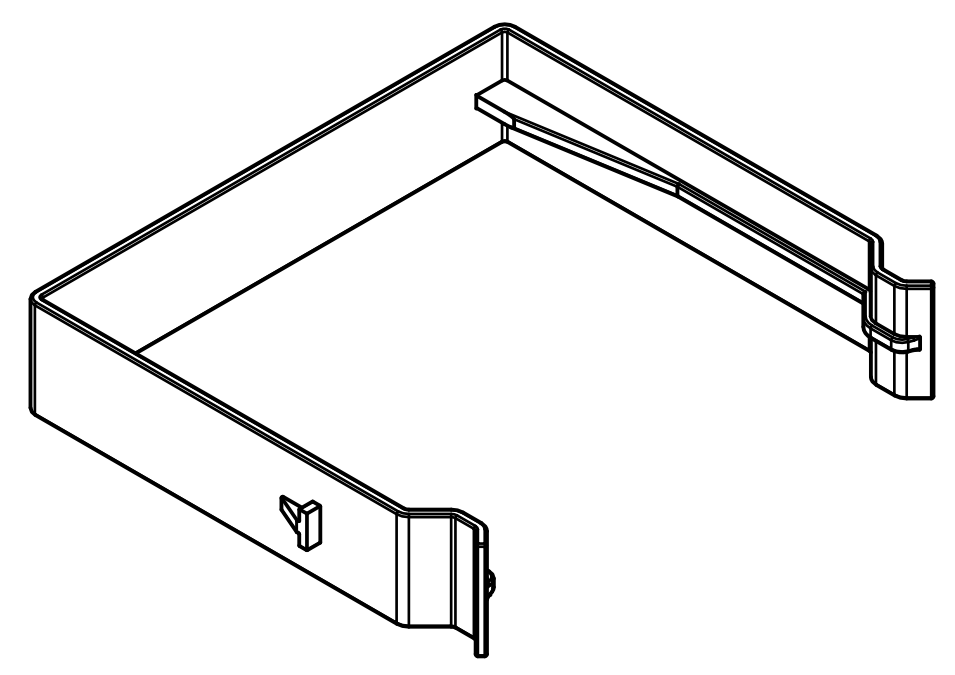
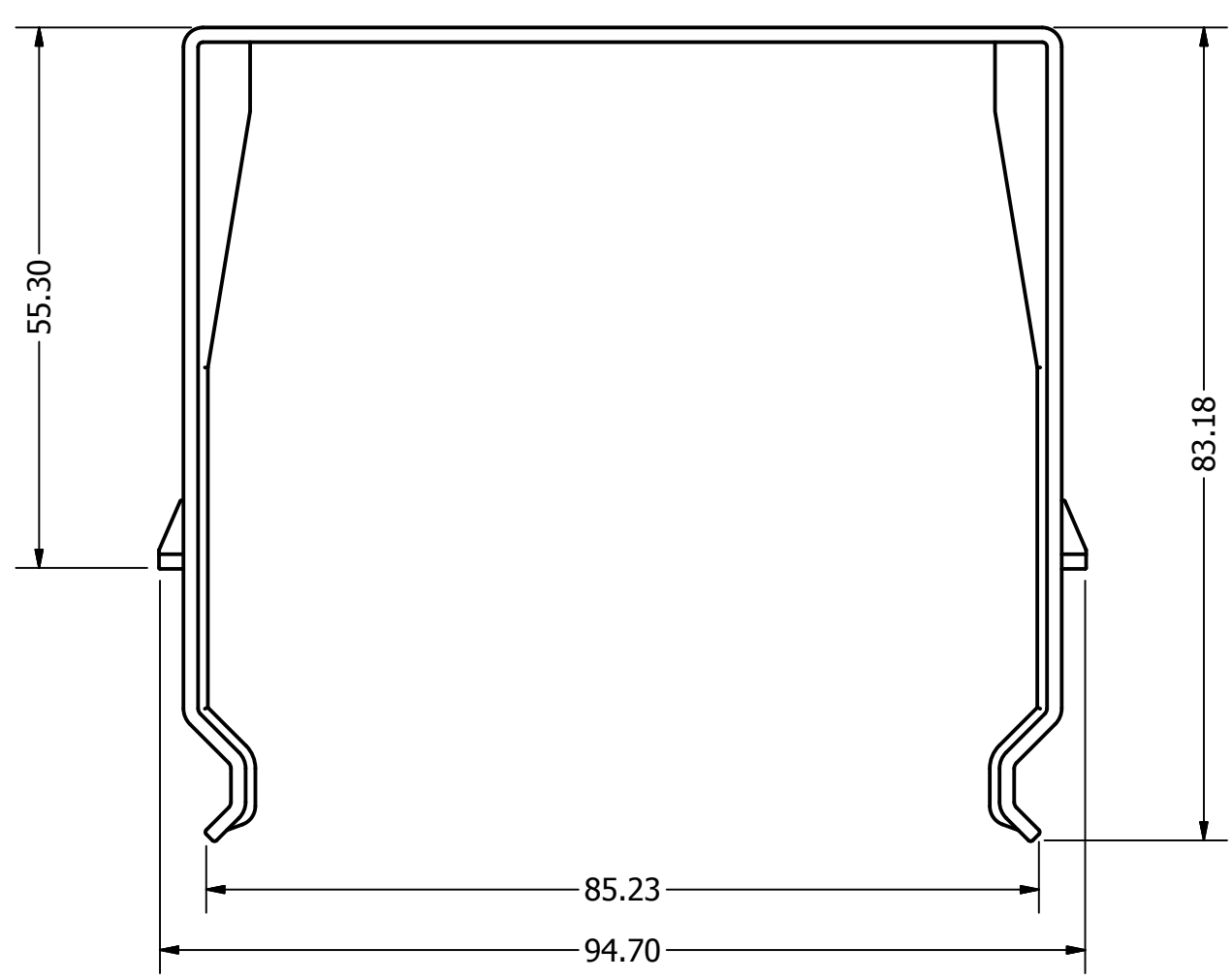
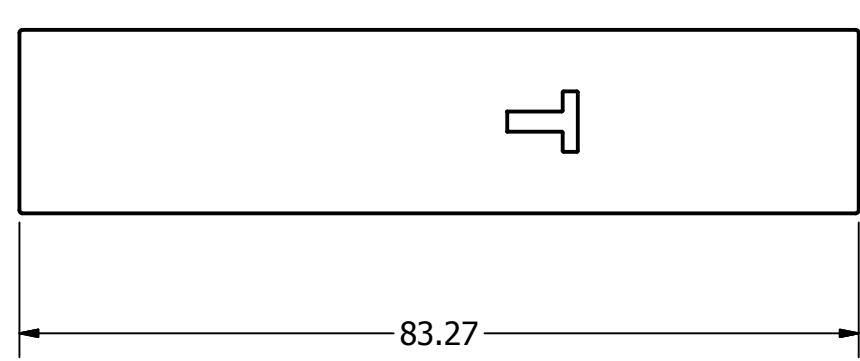
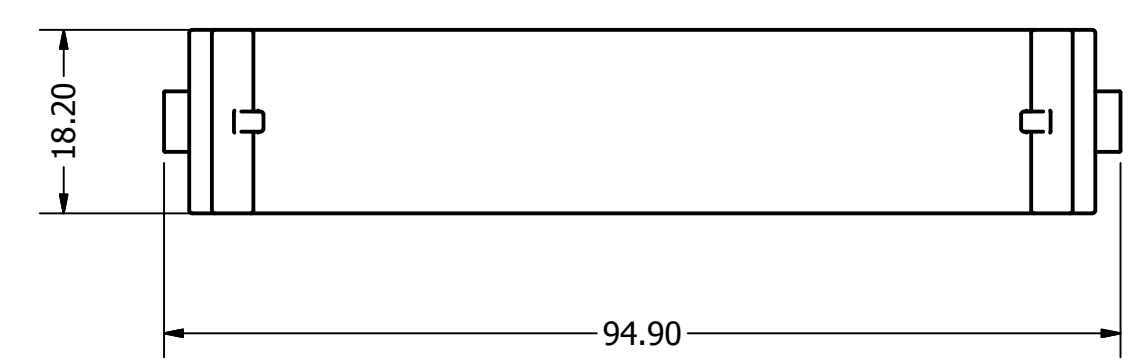
B

C

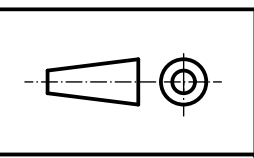
C


D

D



THIS DOCUMENT AND THE INFORMATION CONTAINED IN IT ARE PROPRIETARY AND CONFIDENTIAL TO FIBERNET AND NO PERSON IS ALLOWED TO COPY, REPRINT, REPRODUCE OR PUBLISH ANY PART OF THIS DOCUMENT, NOR DISCLOSE ITS CONTENTS TO OTHERS, NOR MAKE ANY USE OF IT, NOR ALLOW OR ASSIST OTHERS TO MAKE ANY USE OF IT - UNLESS BY THE PRIOR WRITTEN EXPRESS AUTHORIZATION OF FIBERNET AND THEN ONLY TO THE EXTENT AUTHORIZED.
(C) COPYRIGHT - FIBERNET.



DRAWN Denis.I	08/07/2020	 TEL: 972-4-9095555 FAX: 972-4-9590047 ADDRESS: POB.512, SCIENCE INDUSTRIES PARK (MANSURA), YOKNEAM ZIP 20692 ISRAEL	
DESIGN Denis.I	08/07/2020		
CHECKED Benny B.	08/07/2020		
APPROVED Eric M.	08/07/2020		
QA Anna U.	08/07/2020		
TITLE		FCM8 BLANK PANEL	
TOLERANCES UNLESS OTHERWISE SPECIFIED			
SIZE A3	SCALE	PART NUMBER FCM8-BP	REV 0
LINEAR ± 0.2mm	BORE +0.1 mm	MATERIAL: SEE NOTES	FINISH: SEE NOTES
ANGULAR ± 30'	SHEET 1 OF 1		

1

2

3

4

5

6