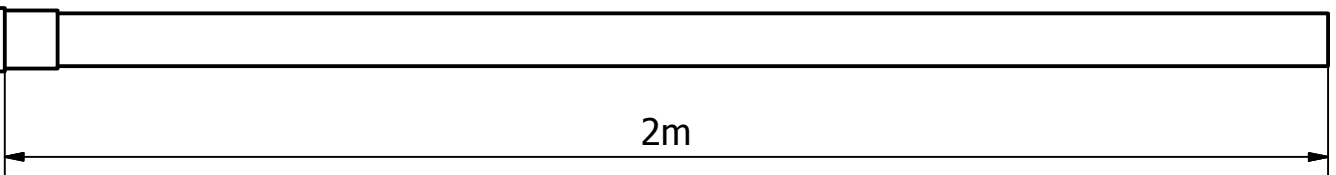


REVISION HISTORY			
REV	DESCRIPTION	DATE	APPROVED
0	Initial revision	03/04/2016	Eric M.



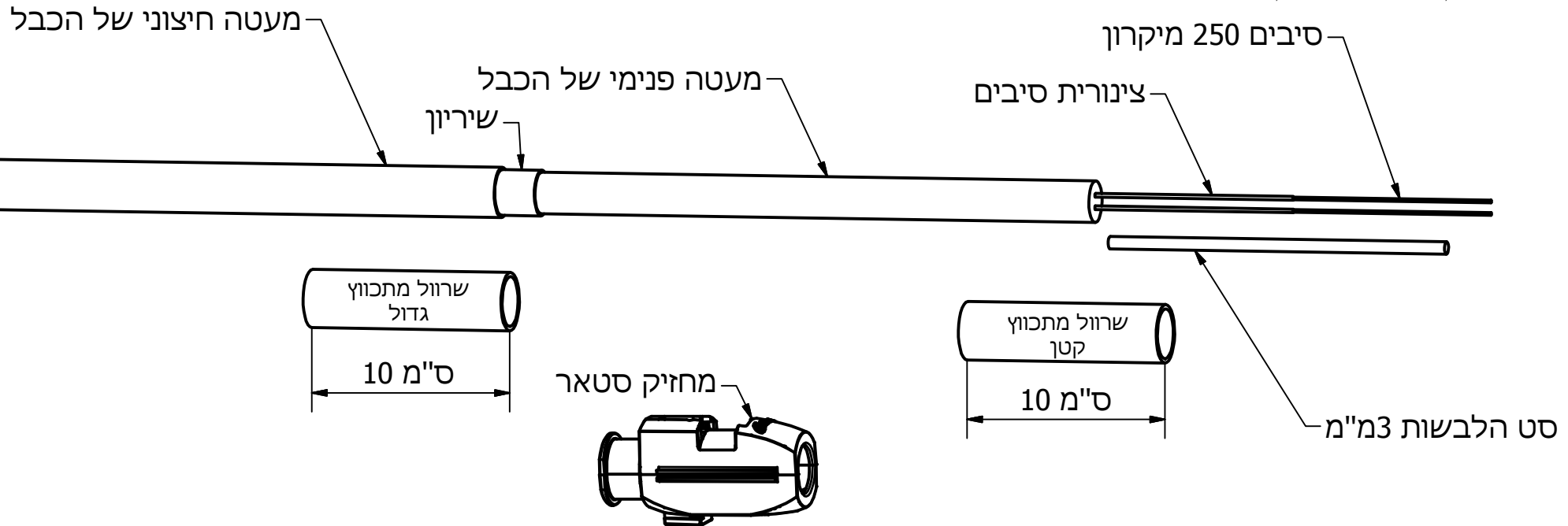
שלב 1  
 1. פתח מעטה חיצוני, גלה מעטה פנימי באורך 1 מטר.  
 2. הורד שריון וחתוך.



שלב 2  
 3. השחל שרוול מתכווצים.  
 4. גלה צינורית סיבים באורך הנדרש, באורך 1 מטר.



שלב 3  
 5. העבר סיבים בתוך ההלבשות.  
 6. כווץ שרוול מתכווץ קטן חצי על ההלבשות וחצי על מעטה פנימי.  
 7. כווץ שרוול מתכווץ גדול חצי על מעטה חיצוני וחצי על מעטה פנימי.



THIS DOCUMENT AND THE INFORMATION CONTAINED IN IT ARE PROPRIETARY AND CONFIDENTIAL TO FIBERNET AND NO PERSON IS ALLOWED TO COPY, REPRINT, REPRODUCE OR PUBLISH ANY PART OF THIS DOCUMENT, NOR DISCLOSE ITS CONTENTS TO OTHERS, NOR MAKE ANY USE OF IT, NOR ALLOW OR ASSIST OTHERS TO MAKE ANY USE OF IT - UNLESS BY THE PRIOR WRITTEN EXPRESS AUTHORIZATION OF FIBERNET AND THEN ONLY TO THE EXTENT AUTHORIZED.  
 (C) COPYRIGHT - FIBERNET.

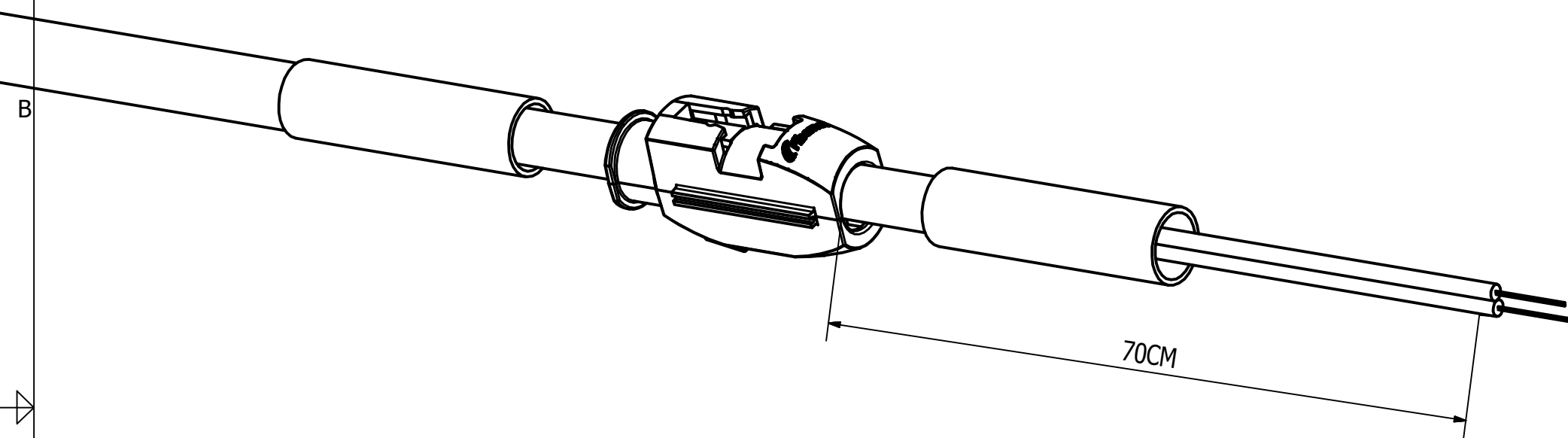
TEL: 972-4-9095555 FAX: 972-4-9590047  
 ADDRESS: POB.512, SCIENCE INDUSTRIES PARK (MANSURA), YOKNEAM ZIP 20692 ISRAEL

DRAWN	maxim	03/04/2016	TITLE <b>FANOUT KIT INSTRUCTION</b>				
DESIGN	maxim	03/04/2016					
CHECKED	Eric M	03/04/2016					
APPROVED	Eric M	03/04/2016					
QA	Kobi A.	03/04/2016					
TOLERANCES UNLESS OTHERWISE SPECIFIED		SIZE A3	SCALE	PART NUMBER	DOCF0016	REV	0
LINEAR	± 0.2mm	BORE	+0.1 mm	MATERIAL:	SEE NOTES	FINISH:	SEE NOTES
ANGULAR	± 30'					SHEET 1 OF 2	



RoHS  
Compliant

שלב 4  
.8 מקם מחזיק כבלים לסטאר על מעטה הפנימי (70 ס"מ).



THIS DOCUMENT AND THE INFORMATION CONTAINED IN IT ARE PROPRIETARY AND CONFIDENTIAL TO FIBERNET AND NO PERSON IS ALLOWED TO COPY, REPRINT, REPRODUCE OR PUBLISH ANY PART OF THIS DOCUMENT, NOR DISCLOSE ITS CONTENTS TO OTHERS, NOR MAKE ANY USE OF IT, NOR ALLOW OR ASSIST OTHERS TO MAKE ANY USE OF IT - UNLESS BY THE PRIOR WRITTEN EXPRESS AUTHORIZATION OF FIBERNET AND THEN ONLY TO THE EXTENT AUTHORIZED. (C) COPYRIGHT - FIBERNET.					
DRAWN maxim	03/04/2016	TEL: 972-4-9095555 FAX: 972-4-9590047 ADDRESS: POB.512, SCIENCE INDUSTRIES PARK (MANSURA), YOKNEAM ZIP 20692 ISRAEL		TITLE <b>FANOUT KIT INSTRUCTION</b>	
DESIGN maxim	03/04/2016				
CHECKED Eric M	03/04/2016				
APPROVED Eric M	03/04/2016				
QA Kobi A.	03/04/2016				
TOLERANCES UNLESS OTHERWISE SPECIFIED		SIZE A3	SCALE	PART NUMBER DOCF0016	REV 0
LINEAR ± 0.2mm	BORE +0.1 mm	MATERIAL: SEE NOTES		FINISH: SEE NOTES	
ANGULAR ± 30'		SHEET 2 OF 2			