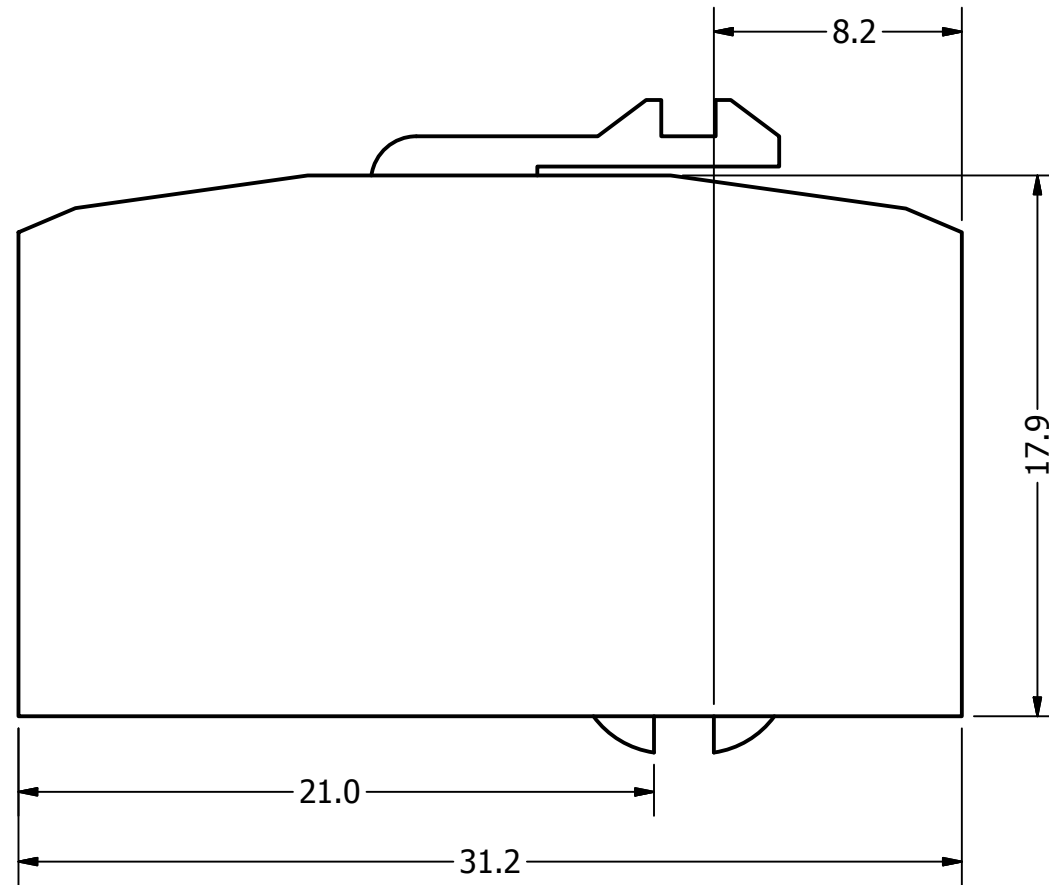
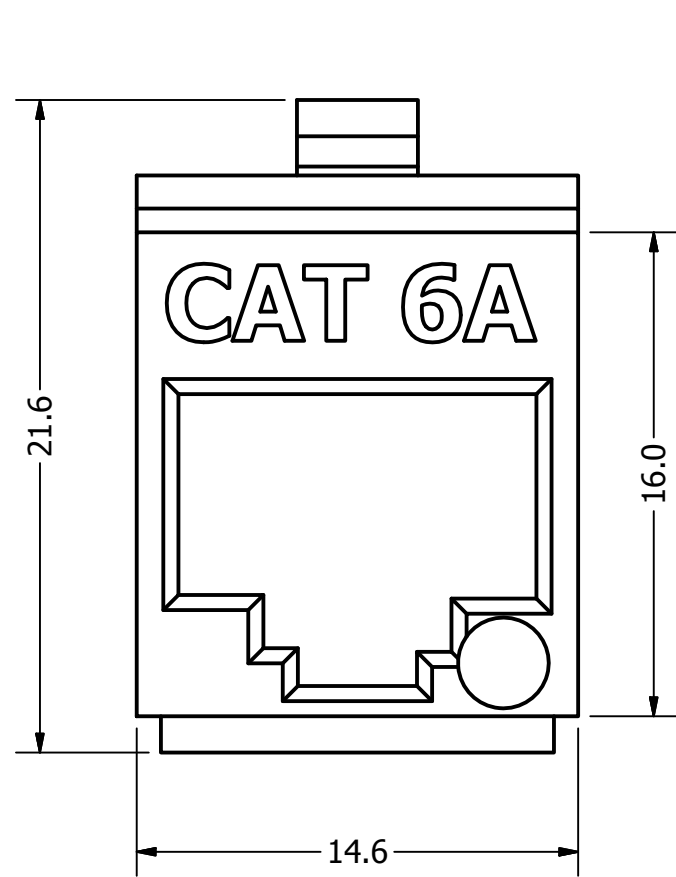


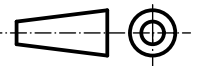



RoHS  
Compliant

REVISION HISTORY			
REV	DESCRIPTION	DATE	APPROVED
0	Initial revision	15/11/2020	Eric M.



THIS DOCUMENT AND THE INFORMATION CONTAINED IN IT ARE PROPRIETARY AND CONFIDENTIAL TO FIBERNET AND NO PERSON IS ALLOWED TO COPY, REPRINT, REPRODUCE OR PUBLISH ANY PART OF THIS DOCUMENT, NOR DISCLOSE ITS CONTENTS TO OTHERS, NOR MAKE ANY USE OF IT, NOR ALLOW OR ASSIST OTHERS TO MAKE ANY USE OF IT - UNLESS BY THE PRIOR WRITTEN EXPRESS AUTORIZATION OF FIBERNET AND THEN ONLY TO THE EXTENT AUTHORIZED.  
(C) COPYRIGHT - FIBERNET.



DRAWN denis.l	15/11/2020	 <b>TEL: 972-4-9095555 FAX: 972-4-9590047</b> ADDRESS: POB.512, SCIENCE INDUSTRIES PARK (MANSURA), YOKNEAM ZIP 20692 ISRAEL
DESIGN Denis.l	15/11/2020	
CHECKED Eric M.	15/11/2020	
APPROVED Eric M.	15/11/2020	
QA Anna U.	15/11/2020	
TOLERANCES UNLESS OTHERWISE SPECIFIED		SIZE: A3    SCALE:    PART NUMBER: CRF2310    REV: 0
LINEAR ± 0.2mm	BORE +0.1 mm	MATERIAL: SEE NOTES    FINISH: SEE NOTES
ANGULAR ± 30'		SHEET 1 OF 1