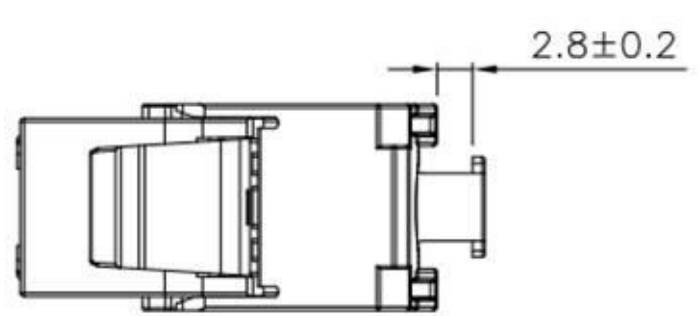
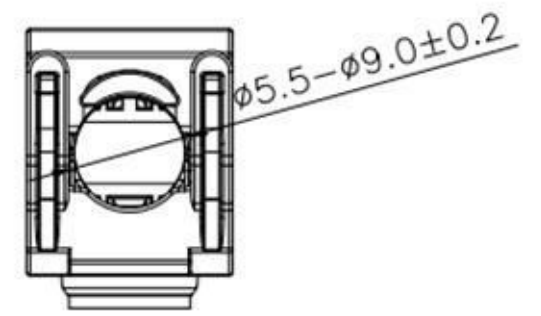
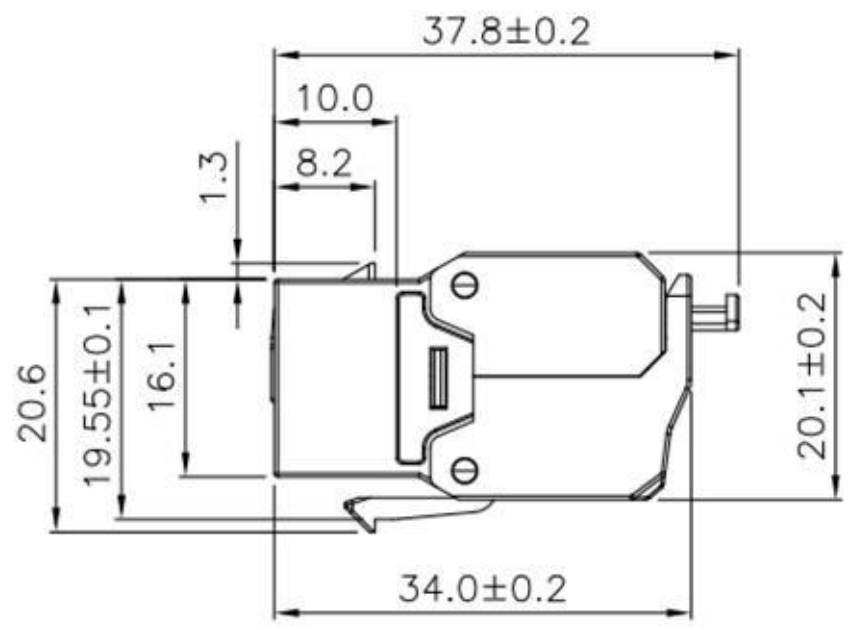
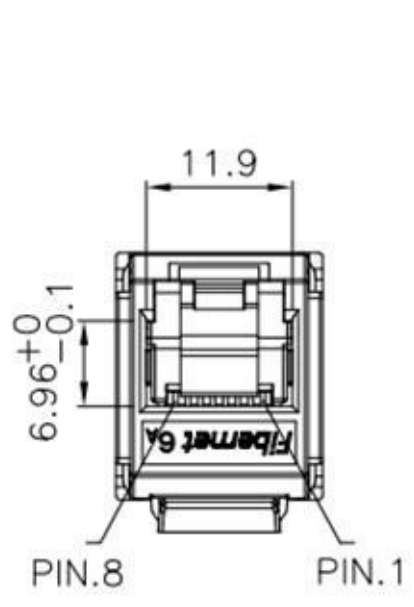
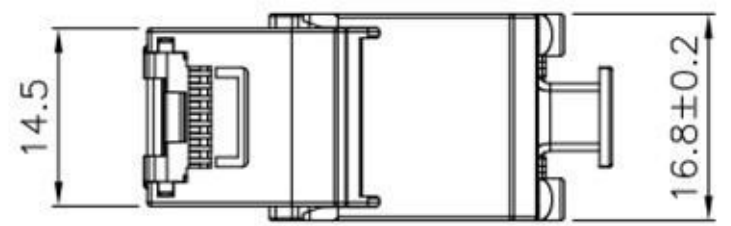


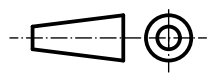



RoHS Compliant

REVISION HISTORY			
REV	DESCRIPTION	DATE	APPROVED
0	Initial revision	16/11/2020	Denis L.



THIS DOCUMENT AND THE INFORMATION CONTAINED IN IT ARE PROPRIETARY AND CONFIDENTIAL TO FIBERNET AND NO PERSON IS ALLOWED TO COPY, REPRINT, REPRODUCE OR PUBLISH ANY PART OF THIS DOCUMENT, NOR DISCLOSE ITS CONTENTS TO OTHERS, NOR MAKE ANY USE OF IT, NOR ALLOW OR ASSIST OTHERS TO MAKE ANY USE OF IT - UNLESS BY THE PRIOR WRITTEN EXPRESS AUTHORIZATION OF FIBERNET AND THEN ONLY TO THE EXTENT AUTHORIZED.
(C) COPYRIGHT - FIBERNET.



DRAWN Denis.I	16/11/2020	 TEL: 972-4-9095555 FAX: 972-4-9590047 ADDRESS: POB.512, SCIENCE INDUSTRIES PARK (MANSURA), YOKNEAM ZIP 20692 ISRAEL	TITLE FIBERNET KEYSTONE JACK CAT 6A COMPONENT - 2 DOOR	
DESIGN Denis.I	16/11/2020		SIZE A3 SCALE PART NUMBER CRF0374D-F/S REV 0	
CHECKED Eric M.	16/11/2020		TOLERANCES UNLESS OTHERWISE SPECIFIED	
APPROVED Eric M.	16/11/2020		LINEAR ± 0.2mm BORE +0.1 mm MATERIAL: SEE NOTES FINISH: SEE NOTES	
QA Anna U.	16/11/2020		ANGULAR ± 30'	
			SHEET 1 OF 1	