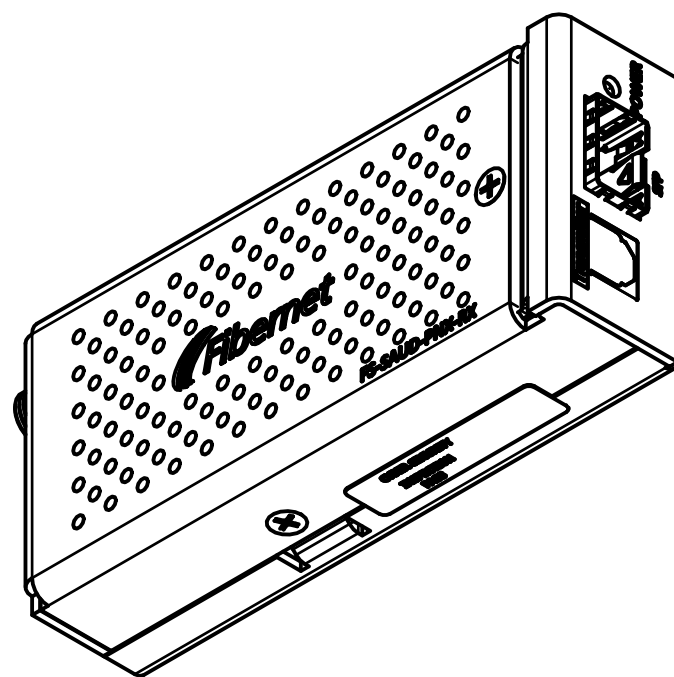
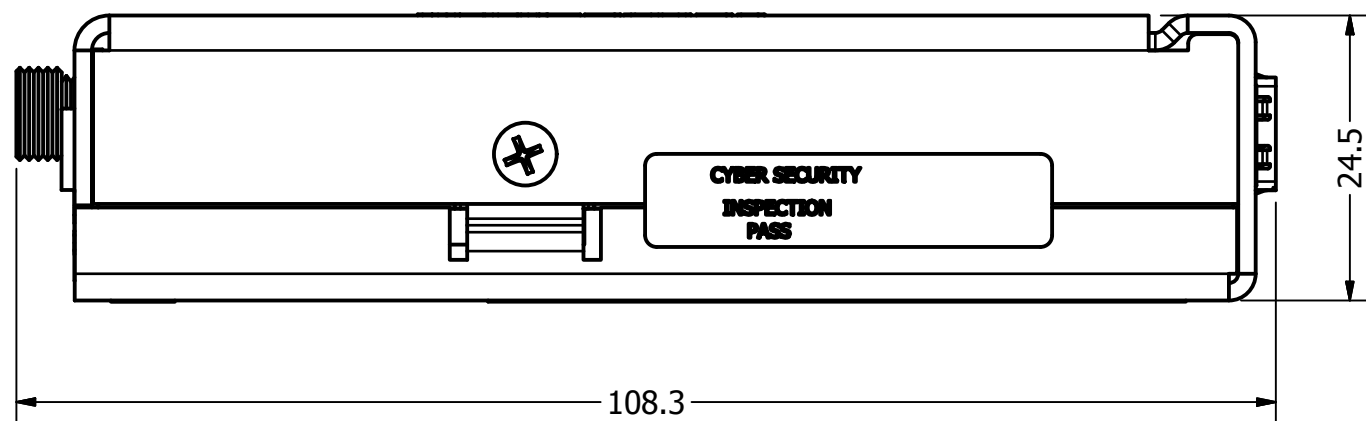
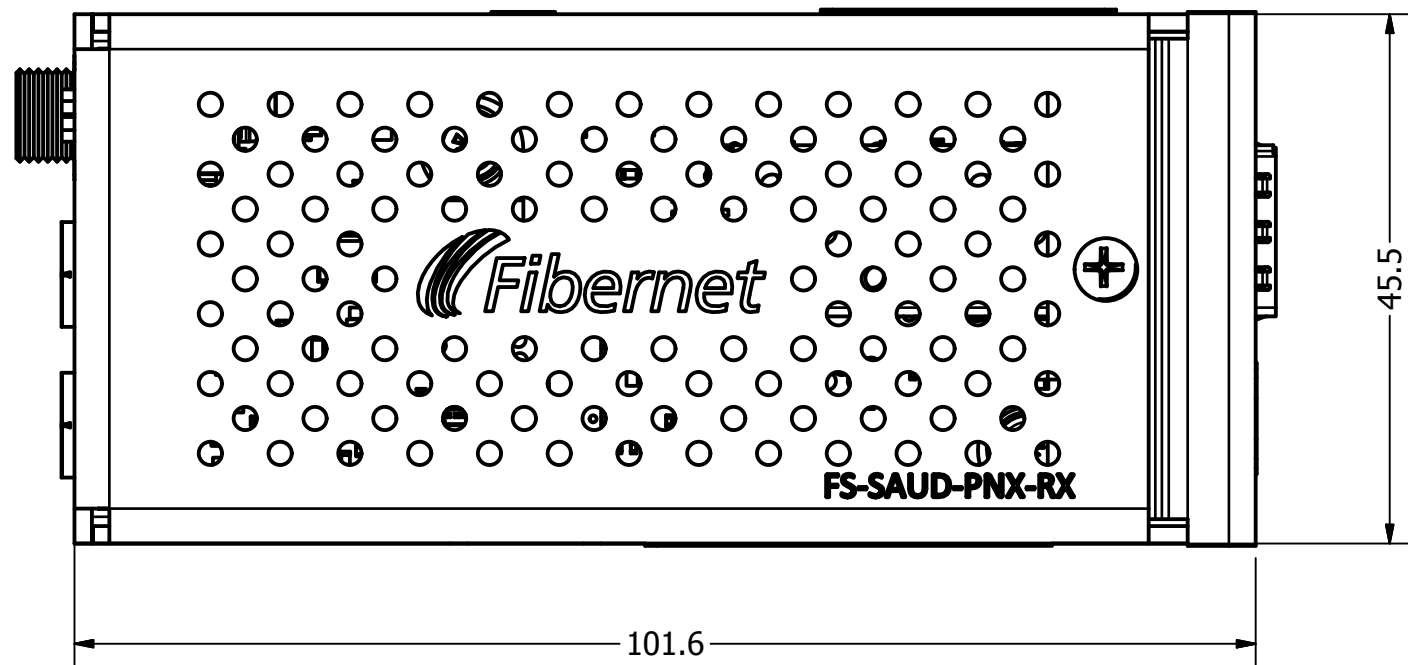


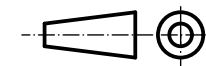


RoHS  
Compliant

REVISION HISTORY			
REV	DESCRIPTION	DATE	APPROVED
0	Initial revision	17/05/2020	Eric.M



THIS DOCUMENT AND THE INFORMATION CONTAINED IN IT ARE PROPRIETARY AND CONFIDENTIAL TO FIBERNET AND NO PERSON IS ALLOWED TO COPY, REPRINT, REPRODUCE OR PUBLISH ANY PART OF THIS DOCUMENT, NOR DISCLOSE ITS CONTENTS TO OTHERS, NOR MAKE ANY USE OF IT, NOR ALLOW OR ASSIST OTHERS TO MAKE ANY USE OF IT - UNLESS BY THE PRIOR WRITTEN EXPRESS AUTORIZATION OF FIBERNET AND THEN ONLY TO THE EXTENT AUTHORIZED.  
(C) COPYRIGHT - FIBERNET.



DRAWN Denis.L	12/05/2020	 TEL: 972-4-9095555 FAX: 972-4-9590047 ADDRESS: POB.512, SCIENCE INDUSTRIES PARK (MANSURA), YOKNEAM ZIP 20692 ISRAEL	TITLE		
DESIGN Denis.L	12/05/2020		SECURE AUDIO PHOENIX EXTENDER		
CHECKED Idan.A	17/05/2020		SIZE	SCALE	PART NUMBER
APPROVED Eric.M	17/05/2020		A3		FS-SAUD(A)-PNX-E_GEN-DIM
QA Adi A.	17/05/2020		REV	0	
TOLERANCES UNLESS OTHERWISE SPECIFIED		MATERIAL:	SEE NOTES	FINISH:	SEE NOTES
LINEAR ± 0.2mm	BORE +0.1 mm				
ANGULAR ± 30'			SHEET 1 OF 1		