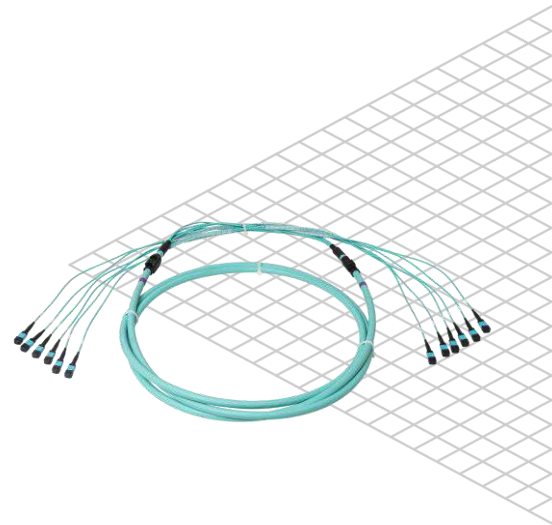


Armored STAR400 MTP® Trunk Cables

The Armored pre-terminated and bend-insensitive STAR MTP® Trunk cables are high density cables. MTP® trunk cables include up to 8 fiber connectors and are available in single-mode and multimode types accommodating up to 96 fibers.

STAR MTP® trunk cables include strain relief grips for quick cable mounting onto STAR products and are supplied with pull material and equipment for safe installations.

The Armored MTP® trunk cables are dedicated for installation in outdoor ducts system.



Applications

Anywhere High-Density and High performance required.

Campus Backbone, Direct burial, Outdoor plant duct installation.

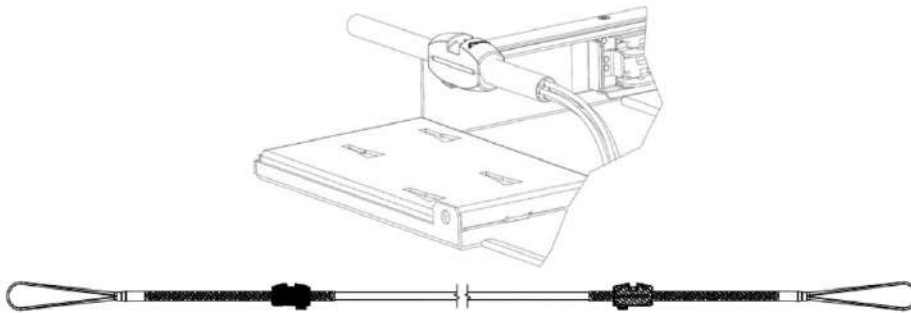
Features

- Pre-terminated with MTP® Elite connectors and high precision guiding pins providing accurate alignment, high durability and excellent performance, surpassing all standards
- LSZH-FR (Low Smoke Zero Halogen, Flame Retardant / HFFR (Halogen Free Flame Retardant) cable jackets deliver greater fire protection performance
- All-dielectric cable designed for maximum safety and electromagnetic noise reduction
- IL/RL (Insertion Loss and Return Loss) testing and interferometer testing for ferrule geometry for every fiber to ensure high-quality performance
- Durable strain relief and pulling eye grips enable faster deployment
- Fully documented cables including individually printed serial numbers make identification easier
- 10G/40G/100G migration solutions facilitate easy, cost effective cabling infrastructure
- Space saving characteristic makes it ideal for limited cable duct space

Standards

- Compliant with the following standards:
- IEEE 802.3ab-2010 - ETL lab verified (up to 100G Ethernet)
- IEEE 802.3ba 40Gb/s and 100 Gb/s
- IEC 60793-2-10:2019, applicable to A1-OM4 and A1-OM5
- ITU-T G.657.A2 for SM OS2
- IEC 61754-20, IEC 61754-7, IEC 60793-1, IEC 11801 (OS2, OM3, OM4 and OM5), IEC 60793-1, IEC 60794, ISO/IEC 14763, IEC 60874, IEC 60811, IEC 61280, IEC 61755-3, IEC TR 62221, IEC 62263, IEC 61282, IEC 61290, IEC 60794, ISO/IEC 14763, IEC 60874, IEC 60811, IEC 61280, IEC TR 62221, IEC 62263, IEC 61282, IEC 61290
- UL 94 V-0, IEC 60332-3C, IEC 60754-2, IEC 61034, CPR-CLASS CA, S1, D1, A1, UL1581 VW-1, UL1666
- EN 50575:2014, CSA C22.2 FT-1
- TIA-942
- GR-1435-CORE
- JIC TYPE AND EIA/TIA-604
- RoHS

Pull Eye and Cable Mounting Position

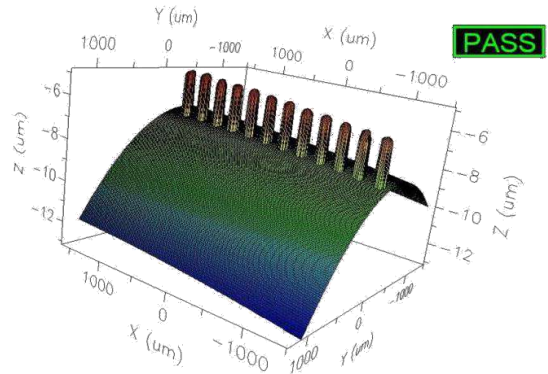


Specifications

PARAMETER	MODEL	
	MULTI MODE LOW-LOSS	SINGLE MODE LOW-LOSS
Connection Insertion Loss	0.1 dB Typical 0.3 dB Max	
Return Loss	>-35 dB	>-60 dB (8° Angle Polish)
Loss Variation (Durability)	≤0.2 dB 500 cycles (per EIA-455-21A)	≤0.3 dB 500 cycles (per EIA-455-21A)
Fiber Attenuation	< 3.0 dB/km @850nm	< 0.35 dB/km @1310/1550 nm
Operating Temperature	-20°C ~ +70°C	
Connector Retention	45N	
Cable Crush Resistance	45 N/cm	
Cable retention	8-96 fibers : 2300N	
Cable crush resistance	800 N/cm	
Cable Bending Radius	20 x D mm	
Cable diameter	8-48F : 15.5mm 48-72F : 17.5mm 96F : 21.5mm	
Cable construction	FRP central strength member 3mm Sub-units FRP-LSZH Inner jacket Water blocking tape Corrugated steel Armor FRP-LSZH Outer jacket	
*Better performance available upon custom request		

Verification Tests

- Insertion Loss
- Return Loss
- Radius of Curvature
- Tilt
- Fiber Height



Build Your Order

Example: FIBT12OFFUU0010070070A

8 fiber, OM3, Female, Female, UPC, UPC, 1M, 70 cm, 70 cm, Low Loss Direct

