

Anchoring Wedge Clamps



Description

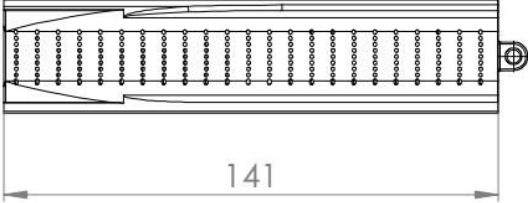
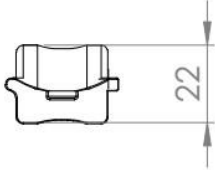
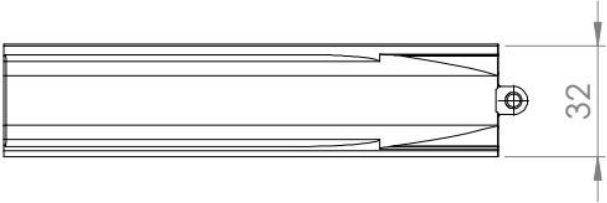
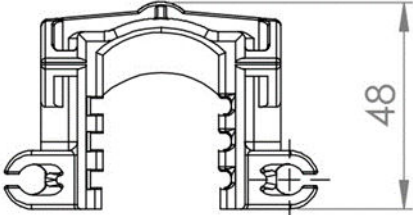
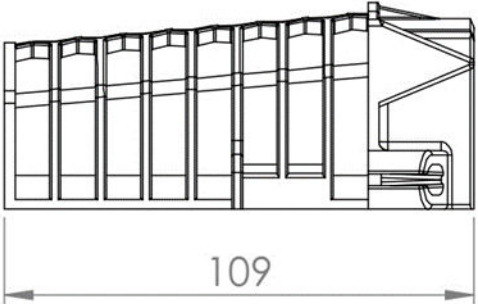
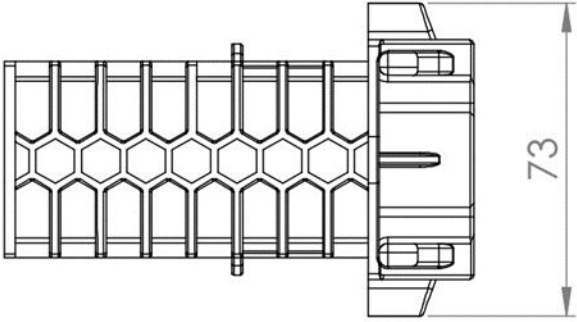
Tension Support Clamp DN 525 is used for different conductors of cross sections between \varnothing 5mm and \varnothing 25 mm. Tension Support Clamp DN 525 is made of high quality materials of high tensile strength and resistance to environmental effects and UV radiation. It is tested and certified so that it complies with all standards for cable accessories. Inside canals of Tension Support Clamp DN 525 are cogged so that they have excellent mechanical contact with cable insulation thus disabling slippage and the effect of most reliable tightening is achieved. Minimum breaking force is 300 daN.

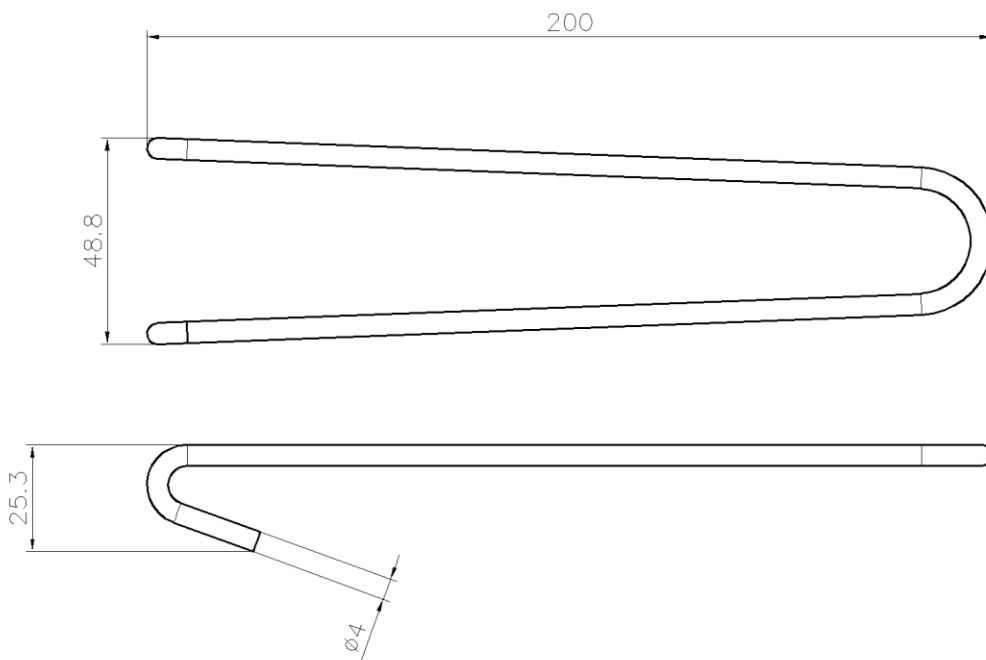
The product is manufactured in accordance with standards NF C 33-041 and EN 50483

Composition of the product:

Pos.	Position	Weight (kg)	Pcs.	Material / Standard
01	Clamp body	0,074	1	Polyamid PA6 GF30
02	Wedge	0,042	1	Polyamid PA6 GF30
03	Metal Support \varnothing 4 mm	0,045	1	Steel C45
04	Tie	0,001	1	SEBS Silicon 90
Total Weight (Σ):		0,162	1	

Drawings





Ordering Information

FIB-AFC-AC-010/2 - ANCHOR CLAMP 10-12MM CROSS SECTION