

# Single-core UV Protect Anchor Clamp



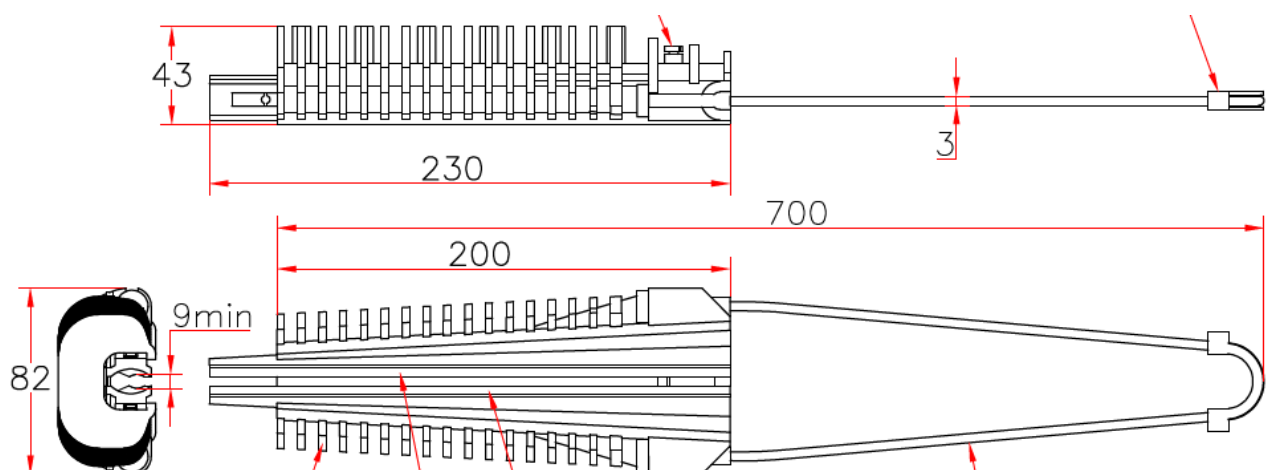
## Description

The UV Protect Dead End Clamp is designed for a fast, easy and reliable dead-ending of fiber optic cables on access networks with spans up to 100 m.

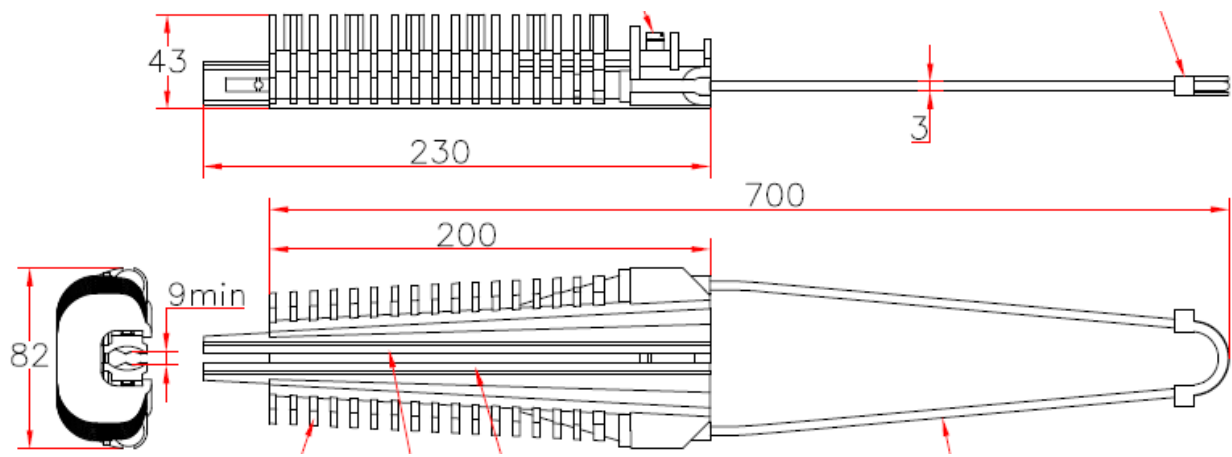
## Features

1. A pair of wedges grips the cable automatically within the conical body.
2. The installation does not require any specific tools and the operating time is drastically reduced.
3. Standard: NFC33-042Drawing

## Drawings



FIB-AFC- AC-010



**FIB-AFC- AC-012**

## Specifications

P/N	Cross section (mm <sup>2</sup> )	Cross section (mm)	Breaking load	Package (P)	Gross weight (kg)
FIB-AFC- AC-010	35-50	10-12	8KN	100	20
FIB-AFC- AC-012	50-70	12-14	8KN	100	21.5

## Ordering Information

**FIB-AFC- AC-010-** Anchor clamp 10-12mm cross section

**FIB-AFC- AC-012-** Anchor clamp 12-14mm cross section