

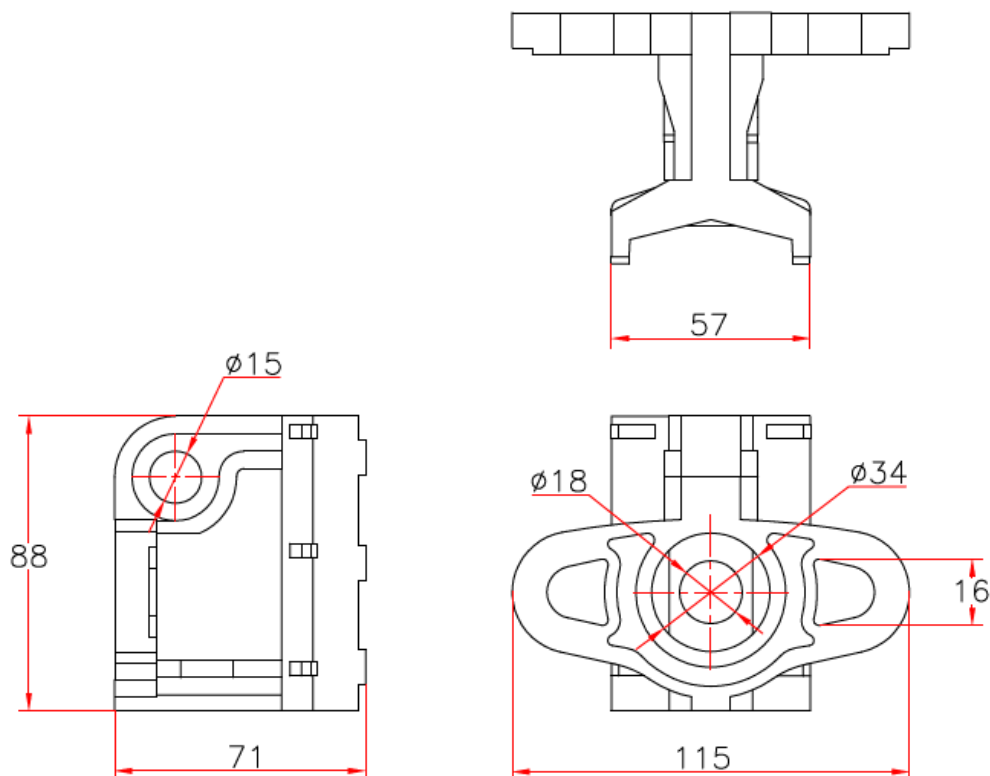
Aluminum Alloy Pole Support



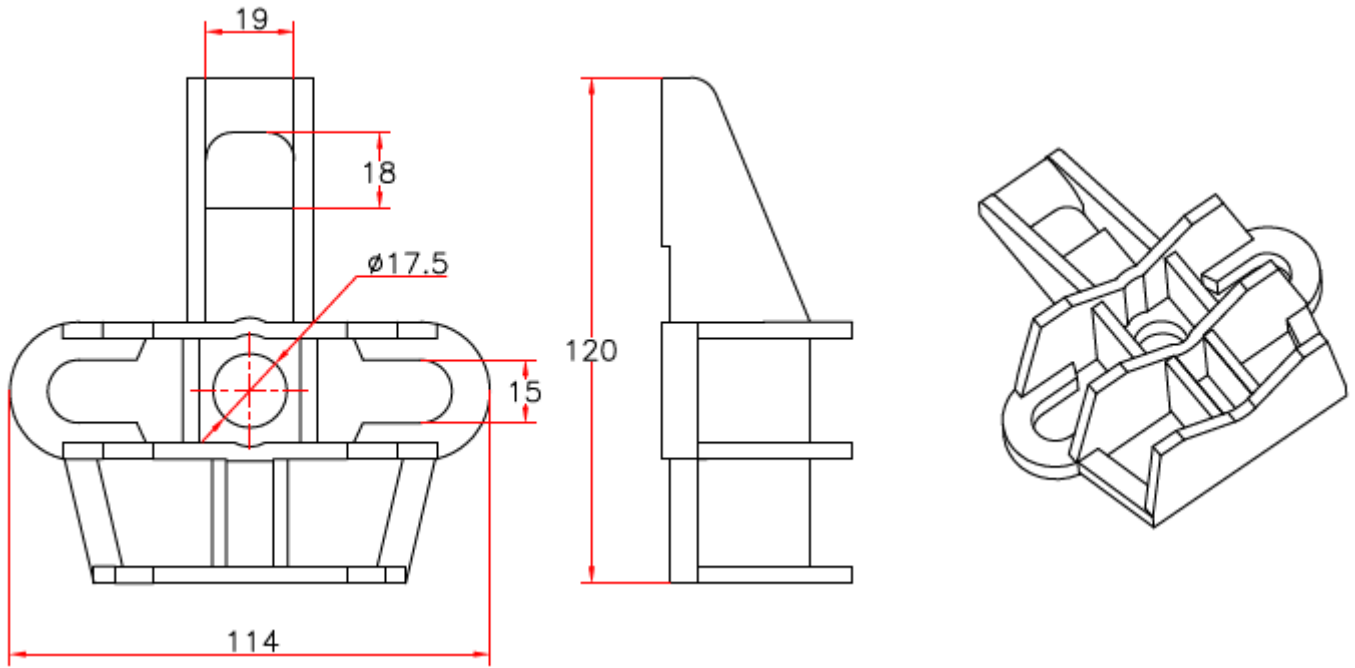
Description

- > The alloy pole hook is used to fix the anchor clamp in metal, steel, wooden pillar or the wall of building.
- > It is made of corrosion-resisting aluminum alloy
- > Double pole attachment for anchoring clamp

Drawing



FIB-AFC-P002



FIB-AFC-P004

Ordering Information

| P/N | Max Load |
|---------------|----------|
| FIB-AFC- P002 | 15KN |
| FIB-AFC- P004 | 15KN |