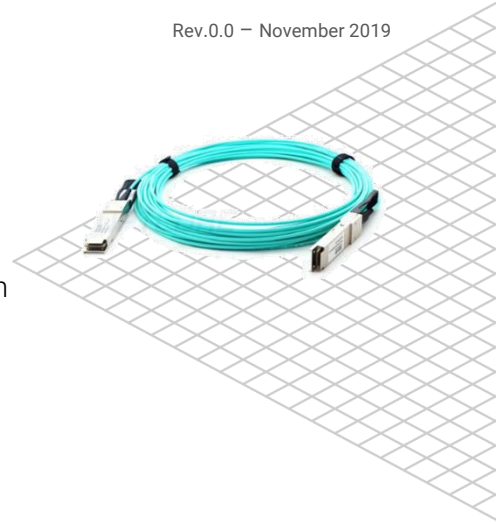


AOC 10GB SFP+

Fibernet's SFP+ active optic cables are a high performance, low power consumption, long reach interconnect solution supporting 1X QDR InfiniBand and Applicable to 1X DDR / 1x SDR InfiniBand. It is compliant with SFF-8431 SFP+ Electrical MSA and SFF-8432 SFP+ Mechanical MSA. This SFP AOC is reach up to 100m (OM2) .Bit rate support from 1G to 11.3Gbps Pre-terminated twin axial cable / fiber cable, SFP+ housing with enhanced EMI shielding and Programmable EEPROM for serial identification.



Applications:



Data Centers



Storage Area
Networks (SAN)



Communications
Rooms

Examples:

- 10GbE applications for Datacom switch and router connections
- Datacenters, NOC & SOC
- Communication equipment within 4G/2G/1G Fiber Channel

Features:

- 10G Ethernet
- Applicable to 1G Ethernet
- 8G Fiber Channel
- Applicable to 4G / 2G / 1G Fiber Channel
- 10G Fiber Channel over Ethernet
- 1X QDR InfiniBand
- Applicable to 1X DDR / 1x SDR InfiniBand
- High capacity IO with SFP+ interface
- Data center and in-rack connection
- SFF-8431 SFP+ Electrical MSA
- SFF-8432 SFP+ Mechanical MSA

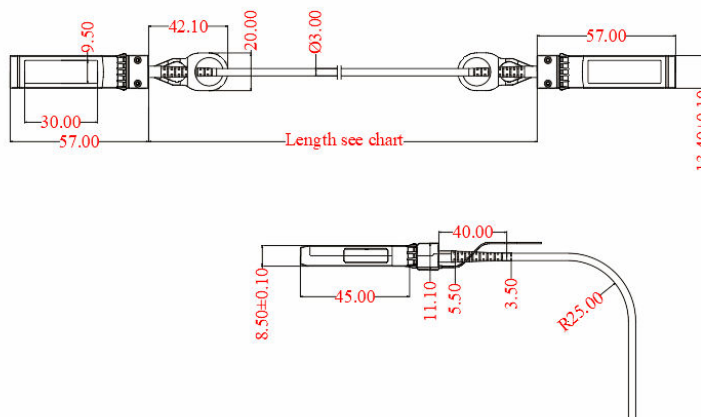
Benefits:

- Easy installation
- Juniper equipment compatible
- Dell equipment compatible
- High performance results
- RoHS compliant

Product Characteristics:

Parameter	Description
Tight buffer color	Aqua
Tight buffer material	PVC
Fiber type	OM2 50/125 (μ)
Data rate	11.3Gb/s
Link Distance	100M
Cable diameter mm	3.0 ± 0.1
Cable weight Kg/km	7.0
Min. bending radius mm	30
Attenuation dB/km	≤ 3.5 at 850 nm ≤ 1.5 at 1300 nm
storage temperature ° C	-40~85
Operation temperature ° C	0~70

Mechanical Specifications:



Ordering information:

Part Number	Description
Q-AOC-10GBSFP+-XXM	ACTIVE OPTICE CABLE 10GBPS SFP+ JUNIPER DELL XXM

XX stands for AOC length in meters (example: XX=03 for 3M)