

AOC 40GB QSFP+ - 4x10GB SFP+

Fibernet's AOC 40GB QSFP+ - 4x10GB SFP+ is a Four-Channel, Pluggable, Parallel, Fiber-Optic QSFP+ Active Optical Cable (AOC) to 4 × SFP+ Active Optical Cable break-out solution. This Breakout cable is intended for 40G to 4 × 10G applications.

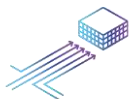
This AOC is a high performance cable for short-range multi-lane data communication and interconnect applications. It integrates four data lanes in each direction with 40 Gbps aggregate bandwidth. Each lane can operate at 10.3125 Gbps. These cables also support 4 x 10G InfiniBand QDR applications and are backwards compatible to the 4 × 5G IB DDR and 4 × 2.5G IB single IB SDR applications.



Applications:



Data Centers



Storage Area
Networks (SAN)



Communications
Rooms

Examples:

- 40GbE and 10GbE break-out applications for Datacom switch and router connections
- 40G to 4x10G density applications for Datacom and Proprietary protocol applications
- Datacenter

Features:

QSFP+ AOC end:

- Compliant to the 40GBASE-SR4 and XLPPI Specification per IEEE 802.3ba-2010 and supporting 40G-IB-QDR / 20G-IB-DDR / 10G-IB-SDR applications
- Compliant to the industry standard SFF-8436 QSFP+ Specification
- Power Level 1: Max Power < 1.5 W
- Operate at 10.3125 Gbps per channel with 64b/66b encoded data for 40GbE application and at 10 Gbps with 8b/10b compatible encoded data for 40G-IB-QDR application

Each 4x SFP+ end:

- Compliant to the electrical specifications per SFF-8431 Specifications for Enhanced Small Form Factor Pluggable Module
- Mechanical specifications per SFF Committee SFF-8432 Improved Pluggable Form factor "IPF"
- Maximum power dissipation 0.35W per end

Benefits:

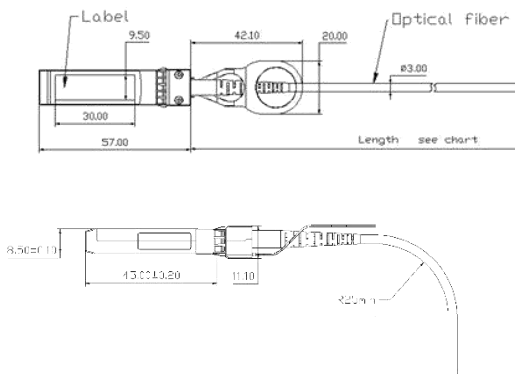
- Easy installation
- Juniper compatible
- High performance results
- RoHS compliant

Product Characteristics:

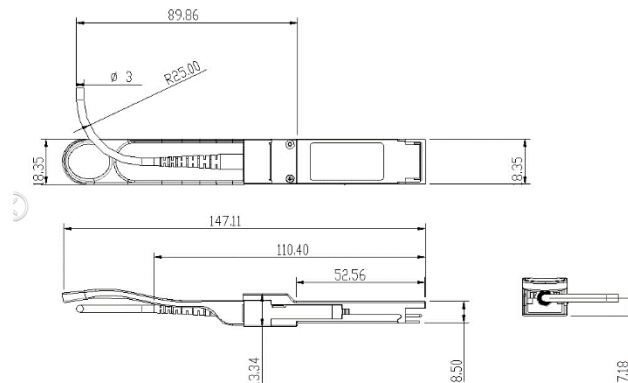
Parameter	Description
Tight buffer color	Blue
Tight buffer material	PVC
Fiber type	62.5/125 (OFS)
Bandwidth	160 MHz.km @ 850 nm
Jacket material	PVC
Cable diameter mm	3.0 ± 0.1
Cable weight Kg/km	7.0
Min. bending radius mm	30
Attenuation dB/km	≤ 3.5 at 850 nm ≤ 1.5 at 1300 nm
Short tension N	120
Operation temperature ° C	-20~70
QSFP+ 40G Active Cable-End Power Consumption	1.5W
SFP+ 10G Active Cable-End Power Consumption	0.35W

Mechanical Specifications:

QSFP+



SFP+



Ordering information:

Part Number	Description
Q-AOC-40GB-4x10GB-XXM	ACTIVE OPTICE CABLE 40GBPS4x30GB JUNIPER DELL XXXM

XX stands for AOC length in meters (example: XX=03 for 3M)